

## GENERAL INFORMATION

- This specification document is for **pressure gauges** manufactured by:

**STIKO, Industrieweg 5, 9301 LM Roden, The Netherlands.**

- STIKO® is a manufacturer of mechanical instruments in the area of temperature, pressure and calibration. We offer thermometers, pressure gauges, pressure and/or temperature recorders, as well as calibration equipment. We develop and manufacture all our instruments to ISO-9001-2008 standards.
- In order to construct your instrument please proceed as follows:

### EXAMPLE 1

		PAGE:
1 Instrument type	PBX100LA	3
2 Pressure range	0 + 250 bar	55
3 Electrical device	I-1-Hz contact	61
4 Any options	Blow-out plug	57-58

### EXAMPLE 2

		PAGE:
1 Instrument type	PFS100XA-04	31
2 Pressure range	0 + 60 bar	55
3 Capillary tube	1.500 mm, AISI321/1.4541	31
4 Electrical device	M-1-Hz contact	60
5 Any options	Blow-out disc	57-58

- Abbreviations used in this document: O.D. = ON DEMAND; N.A. = NOT AVAILABLE
- Dimensions used in this document are in: millimeters (mm).
- Your order will be confirmed by e-mail.
- Other variations which are not mentioned in this document are on demand (if possible).

## CERTIFICATION

- Certificates of Conformity to the company's published specifications are available on request for all STIKO® manufactured products according to EN 10204 2.2.
- Certificates of Calibration for all STIKO® manufactured products are also available. These certificates indicate deviations from standards traceable to R V A - D K D (Dutch - German National Standards). The results are recorded in a certificate which include calibration date, instrument serial number, type number and the R V A or D K D standard used.
- Material Certificates according to EN 10204 3.1 for all STIKO® manufactured products are also available. These certificates indicate specifications of the materials used.

## WARRANTY AND REPAIR SERVICE

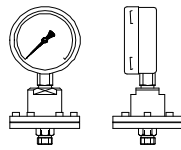
- An efficient repair and sparepart service is available at competitive rates for STIKO® products and products of other manufacturers. Instruments for repair should be sent carriage paid and labelled with the sender's name and address, together with a brief description of the work required. Within two days after receiving the instruments, you will get a full detailed offer for the repair job.
- **A warranty period of 24 months is applicable for all instruments sold as of January 1st, 2018**

# "ALL-STAINLESS" DIAPHRAGM SEAL PRESSURE GAUGES, TYPE PBS

## TYPE PBS, with chemical seal

### STANDARD MODEL

**CASE** : bayonet lock, AISI304/1.4301, IP-65 standard with blow-out device  
**WETTED PARTS** : AISI316L/1.4435, other on demand  
**WINDOW** : mineral glass 4 mm  
**DIAL** : aluminium, black figures on white  
**POINTER** : aluminium, black  
**MOVEMENT** : stainless steel AISI304/1.4301



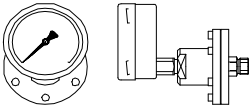
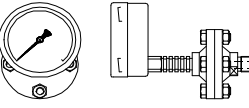
PBS100XA-06

**RANGE** : -1/0 upto 0-60 bar acc. to EN 837-1 (see page 55)  
 high pressure ranges (max. 600 bar); see page 55  
**ACCURACY** : case Ø 63 and Ø 80 mm: ±1.6% F.S./class 1.6  
 case Ø 100 and Ø 160 mm: ±1.0% F.S./class 1.0  
**Tprocess** : -20/+120 °C (-40°C upto +200°C on demand)  
**OPTIONS** : see page 57-58, electrical contact or transmitter 4-20 mA, 0-20mA, 0-10Vdc; see page 59-65

TYPE	SEAL MODEL	DN	MINIMUM PN	MAXIMUM PN	CASE DIAMETER xxx (Ø in mm)		
					063	100	160
PBSxxxXA-01		½"BSP	25 bar	600 bar			N.A.
		½"NPT	25 bar	600 bar			N.A.
PBSxxxXA-02		¾"BSP	16 bar	600 bar			N.A.
		¾"NPT	25 bar	600 bar			N.A.
PBSxxxXA-03	FLUSH DIAPHRAGM 	1"BSP	4 bar (6 bar ø160)	600 bar			
		1"NPT	6 bar (10 bar ø160)	600 bar			
PBSxxxXA-04	FLUSH DIAPHRAGM 	1"BSP female	6 bar	600 bar			
PBSxxxXA-05		1¼"BSP female	6 bar	600 bar			
PBSxxxXA-06	INTERNAL DIAPHRAGM 	½"BSP	1,6 bar	250 bar			
PBSxxxXA-07		½"NPT	1,6 bar	250 bar			
PBSxxxXA-09	INTERNAL DIAPHRAGM 	½"BSP/NPT	1 bar	40 bar			
PBSxxxXA-10		½"BSP/NPT	100 bar	250 bar			
PBSxxxXA-11	INTERNAL DIAPHRAGM 	½"BSP/NPT female	1 bar	100 bar	O D	O D	O D
PBSxxxXA-12		½"BSP/NPT female	100 bar	250 bar	O D	O D	O D
PBSxxxXA-13	I-TYPE 	3/4-1"ANSI or DN20-25	1 bar	150# or PN40	O D	O D	O D
PBSxxxXA-14		1½"ANSI or DN40	1 bar	150# or PN40	O D	O D	O D
PBSxxxXA-15		2"ANSI or DN50	1 bar	150# or PN40	O D	O D	O D
PBSxxxXA-16		DN25	4 bar (6 bar ø160)	PN40			
		1"ANSI	4 bar (6 bar ø160)	150#			
PBSxxxXA-17		DN40	1 bar	PN40			
		1½"ANSI	1 bar	150#			
PBSxxxXA-18	FLUSH DIAPHRAGM 	DN50	1 bar	PN40			
		2"ANSI	1 bar	150#			
PBSxxxXA-19		DN15-20	1 bar	PN40			
		1/2"ANSI		150#			
PBSxxxXA-20		DN25	1 bar	PN40			
		1"ANSI		150#			
PBSxxxXA-21	OPEN FLANGE 	DN50	1 bar	PN40			
		2"ANSI		150#			
PBSxxxXA-22	PAPER-SEAL 	DN 48 tube 6,5mm	1,6 bar	40 bar			
PBSxxxXA-23		DN 48 tube 15mm					
PBSxxxXA-24	PVC-SEAL 	¼"BSP/NPT female	2,5 bar	10 bar			
PBSxxxXA-25		½"BSP/NPT female					
PBSxxxXA-26	MINI-SEAL 	½"BSP/NPT	1 bar	160 bar			

» Other ranges, pressure ratings, flange sizes, materials and connections on demand

## "ALL-STAINLESS" DIAPHRAGM SEAL PRESSURE GAUGES, TYPE PBS

CASE DIAMETER xxx (Ø in mm)				
	OPTIONS	063	100	160
		EXTRA COSTS		
<i>PTFE Foil *</i>	<i>PTFE FOIL ON DIAPHRAGM (types: 09-10-11-12-13-14-15-19-20-21)</i>			
<i>PTFE wetted parts*</i>	<i>PTFE FOIL ON DIAPHRAGM PTFE LINING ON WETTED PARTS (types: 09-10-11-12-13-14-15-19-20-21)</i>	O.D.	O.D.	O.D.
<i>OFF-CENTRE BACK CONNECTION</i>	 <i>e.g. PBS100XC-06</i>			
<i>COOLING ELEMENT</i>	 <i>FOR PROCESS TEMPERATURES UP TO +200°C</i>			
<i>ONDINA OIL</i>	<i>(In combination with electrical device)</i>	N.A.		
<i>GLYCERINE</i>	<i>GLYCERINE FILLED CASE e.g. PBS100LA-01 (L = Liquid)</i>			
<i>Options wetted parts</i>	<i>for PBS tpe 16, 17, 18 seal with flush diaphragm</i>	1 " ANSI / DN 25	1 1/2 " ANSI / DN 40	2 " ANSI / DN 50
REMARKS		EXTRA COSTS		
<i>Duplex / 1.4462</i>		O.D.	O.D.	O.D.
<i>PTFE Foil*</i>	temperature <= 250 °C.			
<i>Hastelloy C276 / 2.4819</i>				
<i>Hastelloy C4 / 2.4610</i>		O.D.	O.D.	O.D.
<i>Monel / 2.4360</i>				
<i>Tantalum</i>	temperature <= 250 °C.			
<i>Titanium / 3.7035</i>	temperature <= 250 °C.			
<i>Uranus B6 / 1.4539</i>		O.D.	O.D.	O.D.
<i>Other materials</i>		O.D.	O.D.	O.D.

# "ALL STAINLESS" DIAPHRAGM SEAL PRESSURE GAUGE, TYPE PBS

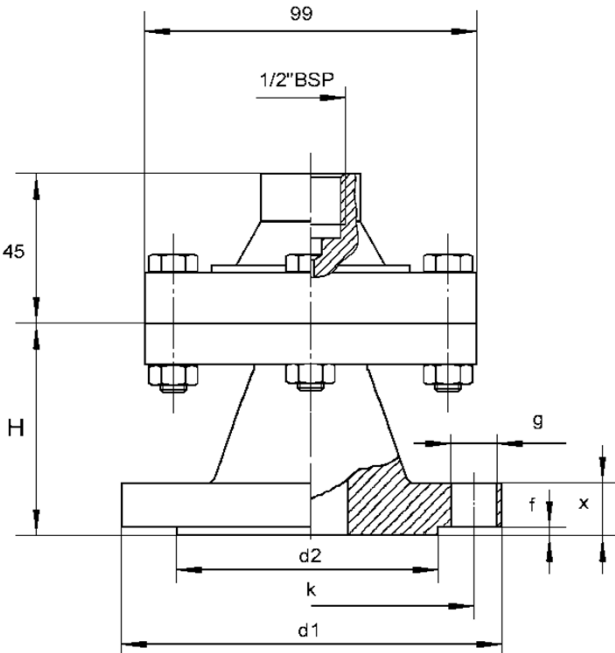

TYPE	DRAWING	DIMENSIONS mm																																																			
01 02 03	<p>Flush Diaphragm</p>	<table border="1"> <thead> <tr> <th>DN</th> <th>PN bar</th> <th>d</th> <th>d1</th> <th>d2</th> <th>dM</th> <th>g</th> <th>x</th> <th>x1</th> <th>width</th> </tr> </thead> <tbody> <tr> <td>½"BSP</td> <td rowspan="4">600</td> <td>—</td> <td>18</td> <td>—</td> <td>16</td> <td rowspan="2">¼"BSP</td> <td>55</td> <td rowspan="2">20</td> <td>27</td> </tr> <tr> <td>¾"BSP</td> <td>32</td> <td>22</td> <td>—</td> <td>20</td> <td>56</td> <td>32</td> </tr> <tr> <td>1"BSP</td> <td>39</td> <td>29</td> <td>—</td> <td>28</td> <td rowspan="2">½"BSP</td> <td>55</td> <td>21</td> <td>41</td> </tr> <tr> <td>1½"BSP</td> <td>55</td> <td>44</td> <td>58</td> <td>38</td> <td>65</td> <td rowspan="2">30</td> <td>50</td> </tr> <tr> <td>2"BSP</td> <td>68</td> <td>56</td> <td>78</td> <td>46</td> <td>70</td> <td>65</td> </tr> </tbody> </table>	DN	PN bar	d	d1	d2	dM	g	x	x1	width	½"BSP	600	—	18	—	16	¼"BSP	55	20	27	¾"BSP	32	22	—	20	56	32	1"BSP	39	29	—	28	½"BSP	55	21	41	1½"BSP	55	44	58	38	65	30	50	2"BSP	68	56	78	46	70	65
	DN	PN bar	d	d1	d2	dM	g	x	x1	width																																											
	½"BSP	600	—	18	—	16	¼"BSP	55	20	27																																											
¾"BSP	32		22	—	20	56		32																																													
1"BSP	39		29	—	28	½"BSP	55	21	41																																												
1½"BSP	55		44	58	38		65	30	50																																												
2"BSP	68	56	78	46	70	65																																															
	<p>Flush Diaphragm</p>	<table border="1"> <thead> <tr> <th>DN</th> <th>PN bar</th> <th>d</th> <th>dM</th> <th>g</th> <th>x</th> <th>x1</th> <th>width</th> </tr> </thead> <tbody> <tr> <td>½"NPT</td> <td rowspan="4">600</td> <td rowspan="2">—</td> <td>16</td> <td rowspan="2">¼"BSP</td> <td>54</td> <td>19</td> <td rowspan="2">27</td> </tr> <tr> <td>¾"NPT</td> <td>—</td> <td>—</td> <td>60</td> <td>25</td> </tr> <tr> <td>1"NPT</td> <td>24</td> <td rowspan="2">½"BSP</td> <td>65</td> <td>28</td> <td>41</td> </tr> <tr> <td>1½"NPT</td> <td>52</td> <td>32</td> <td>30</td> <td>46</td> </tr> <tr> <td>2"NPT</td> <td>78</td> <td>38</td> <td>30</td> <td>65</td> </tr> </tbody> </table>	DN	PN bar	d	dM	g	x	x1	width	½"NPT	600	—	16	¼"BSP	54	19	27	¾"NPT	—	—	60	25	1"NPT	24	½"BSP	65	28	41	1½"NPT	52	32	30	46	2"NPT	78	38	30	65														
DN	PN bar	d	dM	g	x	x1	width																																														
½"NPT	600	—	16	¼"BSP	54	19	27																																														
¾"NPT			—		—	60		25																																													
1"NPT		24	½"BSP	65	28	41																																															
1½"NPT		52		32	30	46																																															
2"NPT	78	38	30	65																																																	
04 05	<p>Flush Diaphragm with female thread</p>	<table border="1"> <thead> <tr> <th>DN</th> <th>PN bar</th> <th>b</th> <th>d</th> <th>m</th> <th>dM</th> <th>g</th> <th>x</th> <th>x1</th> <th>HEX</th> </tr> </thead> <tbody> <tr> <td>1"BSP</td> <td rowspan="2">600</td> <td>49,5</td> <td>23,5</td> <td>28,5</td> <td>24</td> <td rowspan="2">¼"BSP</td> <td rowspan="2">30</td> <td rowspan="2">—</td> <td>41</td> </tr> <tr> <td>1½"BSP</td> <td>65</td> <td>30</td> <td>30,5</td> <td>28</td> <td>50</td> </tr> <tr> <td>1½"BSP</td> <td rowspan="2">40</td> <td rowspan="2">—</td> <td>32</td> <td>31</td> <td>34</td> <td rowspan="2">½"BSP</td> <td rowspan="2">30</td> <td rowspan="2">—</td> <td>55</td> </tr> <tr> <td>2"BSP</td> <td>72,5</td> <td>40</td> <td>35</td> <td>46</td> <td>50</td> <td>70</td> </tr> </tbody> </table>	DN	PN bar	b	d	m	dM	g	x	x1	HEX	1"BSP	600	49,5	23,5	28,5	24	¼"BSP	30	—	41	1½"BSP	65	30	30,5	28	50	1½"BSP	40	—	32	31	34	½"BSP	30	—	55	2"BSP	72,5	40	35	46	50	70								
DN	PN bar	b	d	m	dM	g	x	x1	HEX																																												
1"BSP	600	49,5	23,5	28,5	24	¼"BSP	30	—	41																																												
1½"BSP		65	30	30,5	28				50																																												
1½"BSP	40	—	32	31	34	½"BSP	30	—	55																																												
2"BSP			72,5	40	35				46	50	70																																										

## "ALL STAINLESS" DIAPHRAGM SEAL PRESSURE GAUGES, TYPE PBS

TYPE	DRAWING	DIMENSIONS mm																								
06 07 08	<p style="text-align: center;"><b>Internal Diaphragm</b></p>	<table border="1" style="width: 100%; border-collapse: collapse; margin-top: 10px;"> <thead> <tr style="background-color: #008080; color: white;"> <th>DN</th> <th>PN bar</th> <th>b</th> <th>c2</th> <th>c3</th> <th>d</th> <th>width</th> </tr> </thead> <tbody> <tr> <td>½" BSP</td> <td>250</td> <td>100</td> <td>20</td> <td></td> <td>88</td> <td>SW 27</td> </tr> <tr> <td>½" NPT</td> <td></td> <td></td> <td></td> <td>20</td> <td></td> <td>SW 27</td> </tr> </tbody> </table>	DN	PN bar	b	c2	c3	d	width	½" BSP	250	100	20		88	SW 27	½" NPT				20		SW 27			
DN	PN bar	b	c2	c3	d	width																				
½" BSP	250	100	20		88	SW 27																				
½" NPT				20		SW 27																				
09 10	<p style="text-align: center;"><b>Internal Diaphragm</b></p>	<table border="1" style="width: 100%; border-collapse: collapse; margin-top: 10px;"> <thead> <tr style="background-color: #008080; color: white;"> <th>DN</th> <th>PN bar</th> <th>b</th> <th>c</th> <th>c1</th> <th>c2</th> <th>c3</th> <th>d</th> </tr> </thead> <tbody> <tr> <td>½ BSP/NPT</td> <td>100</td> <td>90</td> <td>6</td> <td>3</td> <td>20</td> <td>19</td> <td>99</td> </tr> <tr> <td>½ BSP/NPT</td> <td>250</td> <td>97</td> <td>6</td> <td>3</td> <td>20</td> <td>19</td> <td>118</td> </tr> </tbody> </table>	DN	PN bar	b	c	c1	c2	c3	d	½ BSP/NPT	100	90	6	3	20	19	99	½ BSP/NPT	250	97	6	3	20	19	118
DN	PN bar	b	c	c1	c2	c3	d																			
½ BSP/NPT	100	90	6	3	20	19	99																			
½ BSP/NPT	250	97	6	3	20	19	118																			
11 12	<p style="text-align: center;"><b>Internal Diaphragm with female thread connection</b></p>	<table border="1" style="width: 100%; border-collapse: collapse; margin-top: 10px;"> <thead> <tr style="background-color: #008080; color: white;"> <th>DN</th> <th>PN bar</th> <th>b</th> <th>d</th> </tr> </thead> <tbody> <tr> <td>½ BSP/NPT</td> <td>100</td> <td>79</td> <td>99</td> </tr> <tr> <td>½ BSP/NPT</td> <td>250</td> <td>89</td> <td>118</td> </tr> </tbody> </table>	DN	PN bar	b	d	½ BSP/NPT	100	79	99	½ BSP/NPT	250	89	118												
DN	PN bar	b	d																							
½ BSP/NPT	100	79	99																							
½ BSP/NPT	250	89	118																							

» Other body and diaphragm materials: Hastelloy, Tantalum, Nickel, Titanium, Monel, Inconel etc., on demand.

## "ALL STAINLESS" DIAPHRAGM SEAL PRESSURE GAUGES, TYPE PBS

TYPE	DRAWING	DIMENSIONS mm																																																																																																																																		
13 14 15																																																																																																																																				
		<table border="1" style="width: 100%; border-collapse: collapse; text-align: center;"> <thead> <tr style="background-color: #008080; color: white;"> <th>DN</th> <th>PN bar</th> <th>H ~</th> <th>d1</th> <th>d2</th> <th>f</th> <th>g</th> <th>k</th> <th>x</th> </tr> </thead> <tbody> <tr><td>DN 25</td><td>40</td><td>51</td><td>115</td><td>68</td><td>3</td><td>4xø14</td><td>85</td><td>18</td></tr> <tr><td>DN 50</td><td>40</td><td>59</td><td>165</td><td>102</td><td>3</td><td>4xø18</td><td>125</td><td>20</td></tr> <tr><td>DN 50</td><td>64</td><td>73</td><td>180</td><td>102</td><td>3</td><td>4xø22</td><td>135</td><td>26</td></tr> <tr><td>DN 50</td><td>100</td><td>80</td><td>195</td><td>102</td><td>3.5</td><td>4xø26</td><td>145</td><td>28</td></tr> <tr><td>DN 50</td><td>160</td><td>85</td><td>195</td><td>102</td><td>3</td><td>4xø26</td><td>145</td><td>30</td></tr> <tr><td>DN 50</td><td>250</td><td>93</td><td>200</td><td>102</td><td>3</td><td>8xø26</td><td>150</td><td>38</td></tr> <tr><td>DN 50</td><td>320</td><td>100</td><td>210</td><td>102</td><td>3</td><td>8xø26</td><td>160</td><td>42</td></tr> <tr><td>DN 50</td><td>400</td><td>110</td><td>235</td><td>102</td><td>3</td><td>8xø30</td><td>180</td><td>52</td></tr> </tbody> </table>	DN	PN bar	H ~	d1	d2	f	g	k	x	DN 25	40	51	115	68	3	4xø14	85	18	DN 50	40	59	165	102	3	4xø18	125	20	DN 50	64	73	180	102	3	4xø22	135	26	DN 50	100	80	195	102	3.5	4xø26	145	28	DN 50	160	85	195	102	3	4xø26	145	30	DN 50	250	93	200	102	3	8xø26	150	38	DN 50	320	100	210	102	3	8xø26	160	42	DN 50	400	110	235	102	3	8xø30	180	52																																																	
		DN	PN bar	H ~	d1	d2	f	g	k	x																																																																																																																										
		DN 25	40	51	115	68	3	4xø14	85	18																																																																																																																										
		DN 50	40	59	165	102	3	4xø18	125	20																																																																																																																										
		DN 50	64	73	180	102	3	4xø22	135	26																																																																																																																										
		DN 50	100	80	195	102	3.5	4xø26	145	28																																																																																																																										
		DN 50	160	85	195	102	3	4xø26	145	30																																																																																																																										
		DN 50	250	93	200	102	3	8xø26	150	38																																																																																																																										
		DN 50	320	100	210	102	3	8xø26	160	42																																																																																																																										
		DN 50	400	110	235	102	3	8xø30	180	52																																																																																																																										
		<table border="1" style="width: 100%; border-collapse: collapse; text-align: center;"> <thead> <tr style="background-color: #008080; color: white;"> <th>DN</th> <th>Class</th> <th>H ~</th> <th>d1</th> <th>d2</th> <th>f</th> <th>g</th> <th>k</th> <th>x</th> </tr> </thead> <tbody> <tr><td>¾"ANSI</td><td>150</td><td>63</td><td>98.6</td><td>42.9</td><td>1.6</td><td>4xø16</td><td>69.9</td><td>12.7</td></tr> <tr><td>¾"ANSI</td><td>300</td><td>68</td><td>117.3</td><td>42.9</td><td>1.6</td><td>4xø19</td><td>82.6</td><td>15.8</td></tr> <tr><td>1" ANSI</td><td>150</td><td>66</td><td>108</td><td>50.8</td><td>1.6</td><td>4xø16</td><td>79.2</td><td>14.2</td></tr> <tr><td>1" ANSI</td><td>300</td><td>72</td><td>123.9</td><td>50.8</td><td>1.6</td><td>4xø19</td><td>88.92</td><td>17.5</td></tr> <tr><td>1½ ANSI</td><td>150</td><td>72</td><td>127</td><td>73.2</td><td>1.6</td><td>4xø16</td><td>98.6</td><td>17.5</td></tr> <tr><td>1½ ANSI</td><td>300</td><td>79</td><td>155.4</td><td>73.2</td><td>1.6</td><td>4xø22</td><td>114.3</td><td>20.6</td></tr> <tr><td>1½ ANSI</td><td>600</td><td>87</td><td>155.4</td><td>73.2</td><td>6.4</td><td>4xø22</td><td>114.3</td><td>28.8</td></tr> <tr><td>2"ANSI</td><td>150</td><td>74</td><td>152.4</td><td>91.9</td><td>1.6</td><td>4xø19</td><td>120.7</td><td>19.8</td></tr> <tr><td>2"ANSI</td><td>300</td><td>80</td><td>165.1</td><td>91.9</td><td>6.4</td><td>8xø19</td><td>127</td><td>22.5</td></tr> <tr><td>2"ANSI</td><td>600</td><td>90</td><td>165.1</td><td>91.9</td><td>6.4</td><td>8xø19</td><td>127</td><td>31.8</td></tr> <tr><td>2"ANSI</td><td>900</td><td>108</td><td>215.9</td><td>91.9</td><td>6.4</td><td>8xø26</td><td>165.1</td><td>44.5</td></tr> </tbody> </table>	DN	Class	H ~	d1	d2	f	g	k	x	¾"ANSI	150	63	98.6	42.9	1.6	4xø16	69.9	12.7	¾"ANSI	300	68	117.3	42.9	1.6	4xø19	82.6	15.8	1" ANSI	150	66	108	50.8	1.6	4xø16	79.2	14.2	1" ANSI	300	72	123.9	50.8	1.6	4xø19	88.92	17.5	1½ ANSI	150	72	127	73.2	1.6	4xø16	98.6	17.5	1½ ANSI	300	79	155.4	73.2	1.6	4xø22	114.3	20.6	1½ ANSI	600	87	155.4	73.2	6.4	4xø22	114.3	28.8	2"ANSI	150	74	152.4	91.9	1.6	4xø19	120.7	19.8	2"ANSI	300	80	165.1	91.9	6.4	8xø19	127	22.5	2"ANSI	600	90	165.1	91.9	6.4	8xø19	127	31.8	2"ANSI	900	108	215.9	91.9	6.4	8xø26	165.1	44.5																						
		DN	Class	H ~	d1	d2	f	g	k	x																																																																																																																										
		¾"ANSI	150	63	98.6	42.9	1.6	4xø16	69.9	12.7																																																																																																																										
		¾"ANSI	300	68	117.3	42.9	1.6	4xø19	82.6	15.8																																																																																																																										
1" ANSI	150	66	108	50.8	1.6	4xø16	79.2	14.2																																																																																																																												
1" ANSI	300	72	123.9	50.8	1.6	4xø19	88.92	17.5																																																																																																																												
1½ ANSI	150	72	127	73.2	1.6	4xø16	98.6	17.5																																																																																																																												
1½ ANSI	300	79	155.4	73.2	1.6	4xø22	114.3	20.6																																																																																																																												
1½ ANSI	600	87	155.4	73.2	6.4	4xø22	114.3	28.8																																																																																																																												
2"ANSI	150	74	152.4	91.9	1.6	4xø19	120.7	19.8																																																																																																																												
2"ANSI	300	80	165.1	91.9	6.4	8xø19	127	22.5																																																																																																																												
2"ANSI	600	90	165.1	91.9	6.4	8xø19	127	31.8																																																																																																																												
2"ANSI	900	108	215.9	91.9	6.4	8xø26	165.1	44.5																																																																																																																												
<table border="1" style="width: 100%; border-collapse: collapse; text-align: center;"> <thead> <tr style="background-color: #008080; color: white;"> <th>DN</th> <th>Class</th> <th>H ~</th> <th>d1</th> <th>d2</th> <th>f</th> <th>g</th> <th>k</th> <th>x</th> </tr> </thead> <tbody> <tr><td>JIS10K 15A</td><td rowspan="5">150</td><td>63</td><td>95</td><td>51</td><td>1</td><td>4Xø15</td><td>70</td><td>12</td></tr> <tr><td>JIS10K 20A</td><td>66</td><td>100</td><td>56</td><td>1</td><td>4Xø15</td><td>75</td><td>14</td></tr> <tr><td>JIS10K 25A</td><td>66</td><td>125</td><td>67</td><td>1</td><td>4Xø19</td><td>90</td><td>14</td></tr> <tr><td>JIS10K 40A</td><td>70</td><td>140</td><td>81</td><td>2</td><td>4Xø19</td><td>105</td><td>16</td></tr> <tr><td>JIS10K 50A</td><td>70</td><td>155</td><td>96</td><td>2</td><td>4Xø19</td><td>120</td><td>16</td></tr> <tr><td>JIS20K 15A</td><td rowspan="5">300</td><td>68</td><td>95</td><td>51</td><td>1</td><td>4Xø15</td><td>70</td><td>14</td></tr> <tr><td>JIS20K 20A</td><td>72</td><td>100</td><td>56</td><td>1</td><td>4Xø15</td><td>75</td><td>16</td></tr> <tr><td>JIS20K 25A</td><td>72</td><td>125</td><td>67</td><td>1</td><td>4Xø19</td><td>90</td><td>16</td></tr> <tr><td>JIS20K 40A</td><td>78</td><td>140</td><td>81</td><td>2</td><td>4Xø19</td><td>105</td><td>18</td></tr> <tr><td>JIS20K 50A</td><td>78</td><td>155</td><td>96</td><td>2</td><td>8Xø19</td><td>120</td><td>18</td></tr> <tr><td>JIS40K 15A</td><td rowspan="5">600</td><td>81</td><td>115</td><td>55</td><td>1</td><td>4Xø19</td><td>80</td><td>20</td></tr> <tr><td>JIS40K 20A</td><td>81</td><td>120</td><td>60</td><td>1</td><td>4Xø19</td><td>85</td><td>20</td></tr> <tr><td>JIS40K 25A</td><td>88</td><td>130</td><td>70</td><td>1</td><td>4Xø19</td><td>95</td><td>22</td></tr> <tr><td>JIS40K 40A</td><td>94</td><td>160</td><td>90</td><td>2</td><td>4Xø23</td><td>120</td><td>24</td></tr> <tr><td>JIS40K 50A</td><td>100</td><td>165</td><td>105</td><td>2</td><td>8Xø19</td><td>130</td><td>26</td></tr> </tbody> </table>	DN	Class	H ~	d1	d2	f	g	k	x	JIS10K 15A	150	63	95	51	1	4Xø15	70	12	JIS10K 20A	66	100	56	1	4Xø15	75	14	JIS10K 25A	66	125	67	1	4Xø19	90	14	JIS10K 40A	70	140	81	2	4Xø19	105	16	JIS10K 50A	70	155	96	2	4Xø19	120	16	JIS20K 15A	300	68	95	51	1	4Xø15	70	14	JIS20K 20A	72	100	56	1	4Xø15	75	16	JIS20K 25A	72	125	67	1	4Xø19	90	16	JIS20K 40A	78	140	81	2	4Xø19	105	18	JIS20K 50A	78	155	96	2	8Xø19	120	18	JIS40K 15A	600	81	115	55	1	4Xø19	80	20	JIS40K 20A	81	120	60	1	4Xø19	85	20	JIS40K 25A	88	130	70	1	4Xø19	95	22	JIS40K 40A	94	160	90	2	4Xø23	120	24	JIS40K 50A	100	165	105	2	8Xø19	130	26
DN	Class	H ~	d1	d2	f	g	k	x																																																																																																																												
JIS10K 15A	150	63	95	51	1	4Xø15	70	12																																																																																																																												
JIS10K 20A		66	100	56	1	4Xø15	75	14																																																																																																																												
JIS10K 25A		66	125	67	1	4Xø19	90	14																																																																																																																												
JIS10K 40A		70	140	81	2	4Xø19	105	16																																																																																																																												
JIS10K 50A		70	155	96	2	4Xø19	120	16																																																																																																																												
JIS20K 15A	300	68	95	51	1	4Xø15	70	14																																																																																																																												
JIS20K 20A		72	100	56	1	4Xø15	75	16																																																																																																																												
JIS20K 25A		72	125	67	1	4Xø19	90	16																																																																																																																												
JIS20K 40A		78	140	81	2	4Xø19	105	18																																																																																																																												
JIS20K 50A		78	155	96	2	8Xø19	120	18																																																																																																																												
JIS40K 15A	600	81	115	55	1	4Xø19	80	20																																																																																																																												
JIS40K 20A		81	120	60	1	4Xø19	85	20																																																																																																																												
JIS40K 25A		88	130	70	1	4Xø19	95	22																																																																																																																												
JIS40K 40A		94	160	90	2	4Xø23	120	24																																																																																																																												
JIS40K 50A		100	165	105	2	8Xø19	130	26																																																																																																																												
<b>I-Type</b>																																																																																																																																				

» Other body and diaphragm materials: Hastelloy, Tantalum, Nickel, Titanium, Monel, Inconel etc., on demand.

# "ALL STAINLESS" DIAPHRAGM SEAL PRESSURE GAUGES, TYPE PBS

TYPE	DRAWING	DIMENSIONS mm																																																																																																																																																		
16 17 18																																																																																																																																																				
		<table border="1"> <thead> <tr> <th>DN</th> <th>PN bar</th> <th>b</th> <th>d1</th> <th>d2</th> <th>dM</th> <th>f</th> <th>g</th> <th>k</th> <th>x</th> </tr> </thead> <tbody> <tr><td>DN 25</td><td>40</td><td>55,5</td><td>115</td><td>68</td><td>28</td><td>3</td><td>4xø14</td><td>85</td><td>18</td></tr> <tr><td>DN 50</td><td>40</td><td>57,5</td><td>165</td><td>102</td><td>52</td><td>3</td><td>4xø18</td><td>125</td><td>20</td></tr> <tr><td>DN 50</td><td>64</td><td>63,5</td><td>180</td><td>102</td><td>52</td><td>3</td><td>4xø22</td><td>135</td><td>26</td></tr> <tr><td>DN 50</td><td>100</td><td>65,5</td><td>195</td><td>102</td><td>52</td><td>3,5</td><td>4xø26</td><td>145</td><td>28</td></tr> <tr><td>DN 50</td><td>160</td><td>67,5</td><td>195</td><td>102</td><td>52</td><td>3</td><td>4xø26</td><td>145</td><td>30</td></tr> <tr><td>DN 50</td><td>250</td><td>75,5</td><td>200</td><td>102</td><td>52</td><td>3</td><td>8xø26</td><td>150</td><td>38</td></tr> <tr><td>DN 50</td><td>320</td><td>79,5</td><td>210</td><td>102</td><td>52</td><td>3</td><td>8xø26</td><td>160</td><td>42</td></tr> <tr><td>DN 50</td><td>400</td><td>89,5</td><td>235</td><td>102</td><td>52</td><td>3</td><td>8xø30</td><td>180</td><td>52</td></tr> </tbody> </table>	DN	PN bar	b	d1	d2	dM	f	g	k	x	DN 25	40	55,5	115	68	28	3	4xø14	85	18	DN 50	40	57,5	165	102	52	3	4xø18	125	20	DN 50	64	63,5	180	102	52	3	4xø22	135	26	DN 50	100	65,5	195	102	52	3,5	4xø26	145	28	DN 50	160	67,5	195	102	52	3	4xø26	145	30	DN 50	250	75,5	200	102	52	3	8xø26	150	38	DN 50	320	79,5	210	102	52	3	8xø26	160	42	DN 50	400	89,5	235	102	52	3	8xø30	180	52																																																								
		DN	PN bar	b	d1	d2	dM	f	g	k	x																																																																																																																																									
		DN 25	40	55,5	115	68	28	3	4xø14	85	18																																																																																																																																									
		DN 50	40	57,5	165	102	52	3	4xø18	125	20																																																																																																																																									
		DN 50	64	63,5	180	102	52	3	4xø22	135	26																																																																																																																																									
		DN 50	100	65,5	195	102	52	3,5	4xø26	145	28																																																																																																																																									
		DN 50	160	67,5	195	102	52	3	4xø26	145	30																																																																																																																																									
		DN 50	250	75,5	200	102	52	3	8xø26	150	38																																																																																																																																									
		DN 50	320	79,5	210	102	52	3	8xø26	160	42																																																																																																																																									
DN 50	400	89,5	235	102	52	3	8xø30	180	52																																																																																																																																											
<table border="1"> <thead> <tr> <th>DN</th> <th>Class</th> <th>b</th> <th>d1</th> <th>d2</th> <th>dM</th> <th>f</th> <th>g</th> <th>k</th> <th>x</th> </tr> </thead> <tbody> <tr><td>¾"ANSI</td><td>150</td><td>50.2</td><td>98.6</td><td>42.9</td><td>21</td><td>1.6</td><td>4xø16</td><td>69.9</td><td>12.7</td></tr> <tr><td>¾"ANSI</td><td>300</td><td>53.3</td><td>117.3</td><td>42.9</td><td>21</td><td>1.6</td><td>4xø19</td><td>82.6</td><td>15.8</td></tr> <tr><td>1" ANSI</td><td>150</td><td>51.7</td><td>108</td><td>50.8</td><td>28</td><td>1.6</td><td>4xø16</td><td>79.2</td><td>14.2</td></tr> <tr><td>1"ANSI</td><td>300</td><td>55</td><td>123.9</td><td>50.8</td><td>28</td><td>1.6</td><td>4xø19</td><td>88.92</td><td>17.5</td></tr> <tr><td>1½ ANSI</td><td>150</td><td>55</td><td>127</td><td>73.2</td><td>39.75</td><td>1.6</td><td>4xø16</td><td>98.6</td><td>17.5</td></tr> <tr><td>1½ ANSI</td><td>300</td><td>58.1</td><td>155.4</td><td>73.2</td><td>39.75</td><td>1.6</td><td>4xø22</td><td>114.3</td><td>20.6</td></tr> <tr><td>1½ ANSI</td><td>600</td><td>66.3</td><td>155.4</td><td>73.2</td><td>39.75</td><td>6.4</td><td>4xø22</td><td>114.3</td><td>28.8</td></tr> <tr><td>2"ANSI</td><td>150</td><td>57.3</td><td>152.4</td><td>91.9</td><td>51.75</td><td>1.6</td><td>4xø19</td><td>120.7</td><td>19.8</td></tr> <tr><td>2"ANSI</td><td>300</td><td>60</td><td>165.1</td><td>91.9</td><td>51.75</td><td>6.4</td><td>8xø19</td><td>127</td><td>22.5</td></tr> <tr><td>2"ANSI</td><td>600</td><td>69.3</td><td>165.1</td><td>91.9</td><td>51.75</td><td>6.4</td><td>8xø19</td><td>127</td><td>31.8</td></tr> <tr><td>2"ANSI</td><td>900</td><td>82</td><td>215.9</td><td>91.9</td><td>51.75</td><td>6.4</td><td>8xø26</td><td>165.1</td><td>44.5</td></tr> <tr><td>3"ANSI</td><td>150</td><td>61.5</td><td>191</td><td>127</td><td>80</td><td>1.6</td><td>4xø20</td><td>152.4</td><td>24</td></tr> <tr><td>3"ANSI</td><td>300</td><td>66</td><td>210</td><td>127</td><td>80</td><td>1,6</td><td>8xø23</td><td>168,1</td><td>28,5</td></tr> </tbody> </table>	DN	Class	b	d1	d2	dM	f	g	k	x	¾"ANSI	150	50.2	98.6	42.9	21	1.6	4xø16	69.9	12.7	¾"ANSI	300	53.3	117.3	42.9	21	1.6	4xø19	82.6	15.8	1" ANSI	150	51.7	108	50.8	28	1.6	4xø16	79.2	14.2	1"ANSI	300	55	123.9	50.8	28	1.6	4xø19	88.92	17.5	1½ ANSI	150	55	127	73.2	39.75	1.6	4xø16	98.6	17.5	1½ ANSI	300	58.1	155.4	73.2	39.75	1.6	4xø22	114.3	20.6	1½ ANSI	600	66.3	155.4	73.2	39.75	6.4	4xø22	114.3	28.8	2"ANSI	150	57.3	152.4	91.9	51.75	1.6	4xø19	120.7	19.8	2"ANSI	300	60	165.1	91.9	51.75	6.4	8xø19	127	22.5	2"ANSI	600	69.3	165.1	91.9	51.75	6.4	8xø19	127	31.8	2"ANSI	900	82	215.9	91.9	51.75	6.4	8xø26	165.1	44.5	3"ANSI	150	61.5	191	127	80	1.6	4xø20	152.4	24	3"ANSI	300	66	210	127	80	1,6	8xø23	168,1	28,5								
DN	Class	b	d1	d2	dM	f	g	k	x																																																																																																																																											
¾"ANSI	150	50.2	98.6	42.9	21	1.6	4xø16	69.9	12.7																																																																																																																																											
¾"ANSI	300	53.3	117.3	42.9	21	1.6	4xø19	82.6	15.8																																																																																																																																											
1" ANSI	150	51.7	108	50.8	28	1.6	4xø16	79.2	14.2																																																																																																																																											
1"ANSI	300	55	123.9	50.8	28	1.6	4xø19	88.92	17.5																																																																																																																																											
1½ ANSI	150	55	127	73.2	39.75	1.6	4xø16	98.6	17.5																																																																																																																																											
1½ ANSI	300	58.1	155.4	73.2	39.75	1.6	4xø22	114.3	20.6																																																																																																																																											
1½ ANSI	600	66.3	155.4	73.2	39.75	6.4	4xø22	114.3	28.8																																																																																																																																											
2"ANSI	150	57.3	152.4	91.9	51.75	1.6	4xø19	120.7	19.8																																																																																																																																											
2"ANSI	300	60	165.1	91.9	51.75	6.4	8xø19	127	22.5																																																																																																																																											
2"ANSI	600	69.3	165.1	91.9	51.75	6.4	8xø19	127	31.8																																																																																																																																											
2"ANSI	900	82	215.9	91.9	51.75	6.4	8xø26	165.1	44.5																																																																																																																																											
3"ANSI	150	61.5	191	127	80	1.6	4xø20	152.4	24																																																																																																																																											
3"ANSI	300	66	210	127	80	1,6	8xø23	168,1	28,5																																																																																																																																											
<table border="1"> <thead> <tr> <th>DN</th> <th>Class</th> <th>b</th> <th>d1</th> <th>d2</th> <th>dM</th> <th>f</th> <th>g</th> <th>k</th> <th>x</th> </tr> </thead> <tbody> <tr><td>JIS10K 15A</td><td rowspan="5">150</td><td>49.5</td><td>95</td><td>51</td><td>21</td><td>1</td><td>4Xø15</td><td>70</td><td>12</td></tr> <tr><td>JIS10K 20A</td><td>51.5</td><td>100</td><td>56</td><td>17</td><td>1</td><td>4Xø15</td><td>75</td><td>14</td></tr> <tr><td>JIS10K 25A</td><td>51.5</td><td>125</td><td>67</td><td>28</td><td>1</td><td>4Xø19</td><td>90</td><td>14</td></tr> <tr><td>JIS10K 40A</td><td>53.5</td><td>140</td><td>81</td><td>38</td><td>2</td><td>4Xø19</td><td>105</td><td>16</td></tr> <tr><td>JIS10K 50A</td><td>53.5</td><td>155</td><td>96</td><td>46</td><td>2</td><td>4Xø19</td><td>120</td><td>16</td></tr> <tr><td>JIS20K 15A</td><td rowspan="5">300</td><td>51.5</td><td>95</td><td>51</td><td>17</td><td>1</td><td>4Xø15</td><td>70</td><td>14</td></tr> <tr><td>JIS20K 20A</td><td>53.5</td><td>100</td><td>56</td><td>17</td><td>1</td><td>4Xø15</td><td>75</td><td>16</td></tr> <tr><td>JIS20K 25A</td><td>53.5</td><td>125</td><td>67</td><td>24</td><td>1</td><td>4Xø19</td><td>90</td><td>16</td></tr> <tr><td>JIS20K 40A</td><td>55.5</td><td>140</td><td>81</td><td>38</td><td>2</td><td>4Xø19</td><td>105</td><td>18</td></tr> <tr><td>JIS20K 50A</td><td>55.5</td><td>155</td><td>96</td><td>48</td><td>2</td><td>8Xø19</td><td>120</td><td>18</td></tr> <tr><td>JIS40K 15A</td><td rowspan="5">600</td><td>57.5</td><td>115</td><td>55</td><td>17</td><td>1</td><td>4Xø19</td><td>80</td><td>20</td></tr> <tr><td>JIS40K 20A</td><td>57.5</td><td>120</td><td>60</td><td>17</td><td>1</td><td>4Xø19</td><td>85</td><td>20</td></tr> <tr><td>JIS40K 25A</td><td>59.5</td><td>130</td><td>70</td><td>24</td><td>1</td><td>4Xø19</td><td>95</td><td>22</td></tr> <tr><td>JIS40K 40A</td><td>61.5</td><td>160</td><td>90</td><td>38</td><td>2</td><td>4Xø23</td><td>120</td><td>24</td></tr> <tr><td>JIS40K 50A</td><td>63.5</td><td>165</td><td>105</td><td>48</td><td>2</td><td>8Xø19</td><td>130</td><td>26</td></tr> </tbody> </table>	DN	Class	b	d1	d2	dM	f	g	k	x	JIS10K 15A	150	49.5	95	51	21	1	4Xø15	70	12	JIS10K 20A	51.5	100	56	17	1	4Xø15	75	14	JIS10K 25A	51.5	125	67	28	1	4Xø19	90	14	JIS10K 40A	53.5	140	81	38	2	4Xø19	105	16	JIS10K 50A	53.5	155	96	46	2	4Xø19	120	16	JIS20K 15A	300	51.5	95	51	17	1	4Xø15	70	14	JIS20K 20A	53.5	100	56	17	1	4Xø15	75	16	JIS20K 25A	53.5	125	67	24	1	4Xø19	90	16	JIS20K 40A	55.5	140	81	38	2	4Xø19	105	18	JIS20K 50A	55.5	155	96	48	2	8Xø19	120	18	JIS40K 15A	600	57.5	115	55	17	1	4Xø19	80	20	JIS40K 20A	57.5	120	60	17	1	4Xø19	85	20	JIS40K 25A	59.5	130	70	24	1	4Xø19	95	22	JIS40K 40A	61.5	160	90	38	2	4Xø23	120	24	JIS40K 50A	63.5	165	105	48	2	8Xø19	130	26
DN	Class	b	d1	d2	dM	f	g	k	x																																																																																																																																											
JIS10K 15A	150	49.5	95	51	21	1	4Xø15	70	12																																																																																																																																											
JIS10K 20A		51.5	100	56	17	1	4Xø15	75	14																																																																																																																																											
JIS10K 25A		51.5	125	67	28	1	4Xø19	90	14																																																																																																																																											
JIS10K 40A		53.5	140	81	38	2	4Xø19	105	16																																																																																																																																											
JIS10K 50A		53.5	155	96	46	2	4Xø19	120	16																																																																																																																																											
JIS20K 15A	300	51.5	95	51	17	1	4Xø15	70	14																																																																																																																																											
JIS20K 20A		53.5	100	56	17	1	4Xø15	75	16																																																																																																																																											
JIS20K 25A		53.5	125	67	24	1	4Xø19	90	16																																																																																																																																											
JIS20K 40A		55.5	140	81	38	2	4Xø19	105	18																																																																																																																																											
JIS20K 50A		55.5	155	96	48	2	8Xø19	120	18																																																																																																																																											
JIS40K 15A	600	57.5	115	55	17	1	4Xø19	80	20																																																																																																																																											
JIS40K 20A		57.5	120	60	17	1	4Xø19	85	20																																																																																																																																											
JIS40K 25A		59.5	130	70	24	1	4Xø19	95	22																																																																																																																																											
JIS40K 40A		61.5	160	90	38	2	4Xø23	120	24																																																																																																																																											
JIS40K 50A		63.5	165	105	48	2	8Xø19	130	26																																																																																																																																											
<b>Flush Diaphragm</b>																																																																																																																																																				

» Other body and diaphragm materials: Hastelloy, Tantalum, Nickel, Titanium, Monel, Inconel etc., on demand.

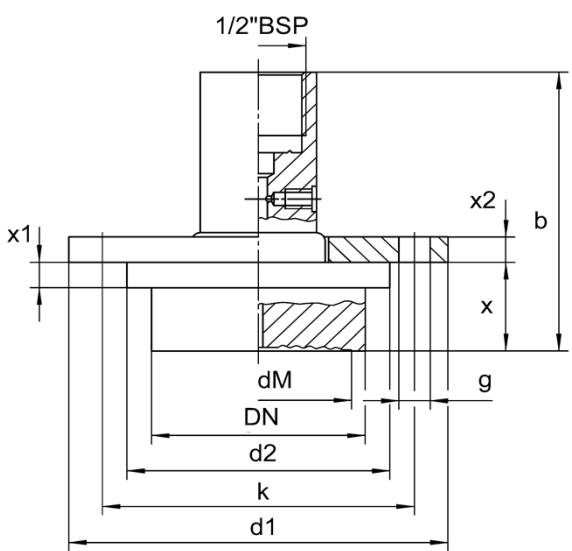
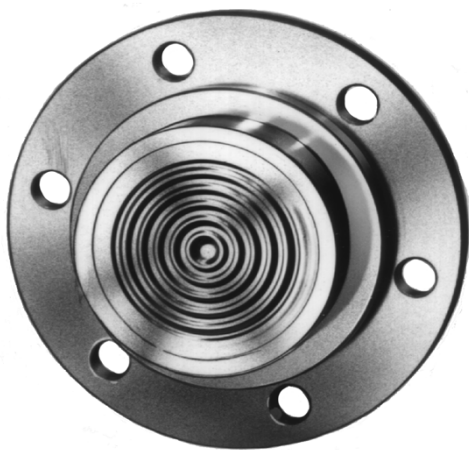
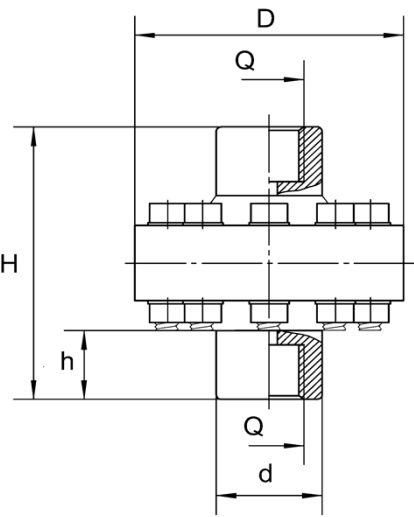

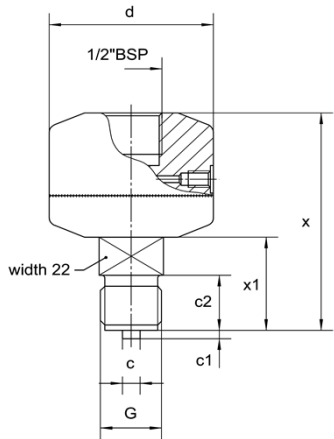

## "ALL-STAINLESS" DIAPHRAGM SEAL PRESSURE GAUGES, TYPE PBS

TYPE	DRAWING	DIMENSIONS mm																																																																																					
19 20																																																																																							
		<table border="1" style="width: 100%; border-collapse: collapse; text-align: center;"> <thead> <tr style="background-color: #008080; color: white;"> <th>DN</th> <th>PN bar</th> <th>b</th> <th>d</th> <th>d1</th> <th>d2</th> <th>f</th> <th>g</th> <th>k</th> <th>t</th> <th>x</th> </tr> </thead> <tbody> <tr> <td>15</td> <td rowspan="3">40</td> <td rowspan="2">69</td> <td rowspan="3">99</td> <td>99</td> <td>45</td> <td>2</td> <td rowspan="3">4x M12</td> <td>65</td> <td rowspan="3">12</td> <td rowspan="3">25</td> </tr> <tr> <td>20</td> <td>105</td> <td>58</td> <td>2,5</td> <td>75</td> </tr> <tr> <td>25</td> <td>66</td> <td>115</td> <td>68</td> <td>3</td> <td>85</td> </tr> <tr style="background-color: #008080; color: white;"> <th>DN</th> <th>Class</th> <th>b</th> <th>d</th> <th>d1</th> <th>d2</th> <th>f</th> <th>g</th> <th>k</th> <th>t</th> <th>x</th> </tr> <tr> <td>1/2"</td> <td>150</td> <td rowspan="6">74</td> <td rowspan="6">99</td> <td rowspan="2">99</td> <td rowspan="2">34,9</td> <td rowspan="2">1,6</td> <td rowspan="3">1/2"UNF-20</td> <td>60,3</td> <td rowspan="6">15</td> <td rowspan="3">30</td> </tr> <tr> <td>1/2"</td> <td>300</td> <td rowspan="2">6,4</td> <td>66,7</td> </tr> <tr> <td>1/2"</td> <td>600</td> <td>66,7</td> </tr> <tr> <td>1"</td> <td>150</td> <td rowspan="2">108</td> <td rowspan="2">50,8</td> <td rowspan="2">1,6</td> <td>79,4</td> <td>30</td> </tr> <tr> <td>1"</td> <td>300</td> <td rowspan="2">124</td> <td rowspan="2">6,4</td> <td>88,9</td> </tr> <tr> <td>1"</td> <td>600</td> <td rowspan="2">5/8"UNF-18</td> <td>88,9</td> <td>35</td> </tr> <tr> <td>2"</td> <td>150</td> <td>66,4</td> <td>152</td> <td>92,1</td> <td>1,6</td> <td>121</td> <td>19,1</td> </tr> </tbody> </table>	DN	PN bar	b	d	d1	d2	f	g	k	t	x	15	40	69	99	99	45	2	4x M12	65	12	25	20	105	58	2,5	75	25	66	115	68	3	85	DN	Class	b	d	d1	d2	f	g	k	t	x	1/2"	150	74	99	99	34,9	1,6	1/2"UNF-20	60,3	15	30	1/2"	300	6,4	66,7	1/2"	600	66,7	1"	150	108	50,8	1,6	79,4	30	1"	300	124	6,4	88,9	1"	600	5/8"UNF-18	88,9	35	2"	150	66,4	152	92,1	1,6
DN	PN bar	b	d	d1	d2	f	g	k	t	x																																																																													
15	40	69	99	99	45	2	4x M12	65	12	25																																																																													
20				105	58	2,5		75																																																																															
25		66		115	68	3		85																																																																															
DN	Class	b	d	d1	d2	f	g	k	t	x																																																																													
1/2"	150	74	99	99	34,9	1,6	1/2"UNF-20	60,3	15	30																																																																													
1/2"	300							6,4			66,7																																																																												
1/2"	600			66,7																																																																																			
1"	150			108	50,8	1,6	79,4	30																																																																															
1"	300						124	6,4		88,9																																																																													
1"	600			5/8"UNF-18	88,9	35																																																																																	
2"	150	66,4	152		92,1	1,6	121	19,1																																																																															
<b>Open Flange</b>																																																																																							
21																																																																																							
		<table border="1" style="width: 100%; border-collapse: collapse; text-align: center;"> <thead> <tr style="background-color: #008080; color: white;"> <th>DN</th> <th>PN bar</th> <th>b</th> <th>d</th> <th>d1</th> <th>d2</th> <th>f</th> <th>g</th> <th>k</th> <th>x</th> </tr> </thead> <tbody> <tr> <td>50</td> <td>40</td> <td>64</td> <td>99</td> <td>165</td> <td>102</td> <td>3</td> <td>4x ø18</td> <td>125</td> <td>20</td> </tr> <tr style="background-color: #008080; color: white;"> <th>DN</th> <th>Class</th> <th>b</th> <th>d</th> <th>d1</th> <th>d2</th> <th>f</th> <th>g</th> <th>k</th> <th>x</th> </tr> <tr> <td>2"</td> <td>300</td> <td rowspan="2">66,4</td> <td rowspan="2">99</td> <td rowspan="2">165</td> <td></td> <td></td> <td>8 x ø19</td> <td>127</td> <td>22,2</td> </tr> <tr> <td>2"</td> <td>600</td> <td>6,4</td> <td>8 x ø19</td> <td>127</td> <td>32</td> </tr> </tbody> </table>	DN	PN bar	b	d	d1	d2	f	g	k	x	50	40	64	99	165	102	3	4x ø18	125	20	DN	Class	b	d	d1	d2	f	g	k	x	2"	300	66,4	99	165			8 x ø19	127	22,2	2"	600	6,4	8 x ø19	127	32																																							
DN	PN bar	b	d	d1	d2	f	g	k	x																																																																														
50	40	64	99	165	102	3	4x ø18	125	20																																																																														
DN	Class	b	d	d1	d2	f	g	k	x																																																																														
2"	300	66,4	99	165			8 x ø19	127	22,2																																																																														
2"	600				6,4	8 x ø19	127	32																																																																															
<b>Open Flange</b>																																																																																							

» Other body and diaphragm materials: Hastelloy, Tantalum, Nickel, Titanium, Monel, Inconel etc., on demand.



## "ALL STAINLESS" DIAPHRAGM SEAL PRESSURE GAUGE, TYPE PBS

TYPE	DRAWING	DIMENSIONS mm																									
22 23	 <p style="text-align: center;"><b>Paper Seal</b></p>																										
		<table border="1" style="width: 100%; border-collapse: collapse; text-align: center;"> <thead> <tr style="background-color: #008080; color: white;"> <th>DN</th> <th>PN bar</th> <th>Tube</th> <th>b</th> <th>d1</th> <th>d2</th> <th>dM</th> <th>g</th> <th>k</th> <th>x</th> <th>x1</th> <th>x2</th> </tr> </thead> <tbody> <tr> <td rowspan="2">48</td> <td rowspan="2">40</td> <td>6,5</td> <td>66</td> <td rowspan="2">85</td> <td rowspan="2">59</td> <td rowspan="2">38</td> <td rowspan="2">6xø7</td> <td rowspan="2">70</td> <td>21</td> <td rowspan="2">6</td> <td rowspan="2">6</td> </tr> <tr> <td>15</td> <td>57,5</td> <td>12,5</td> </tr> </tbody> </table>	DN	PN bar	Tube	b	d1	d2	dM	g	k	x	x1	x2	48	40	6,5	66	85	59	38	6xø7	70	21	6	6	15
DN	PN bar	Tube	b	d1	d2	dM	g	k	x	x1	x2																
48	40	6,5	66	85	59	38	6xø7	70	21	6	6																
		15	57,5						12,5																		
24 25	 <p style="text-align: center;"><b>PVC Seal</b></p>																										
		<table border="1" style="width: 100%; border-collapse: collapse; text-align: center;"> <thead> <tr style="background-color: #008080; color: white;"> <th>Q</th> <th>PN bar</th> <th>d</th> <th>D</th> <th>h</th> <th>H</th> </tr> </thead> <tbody> <tr> <td>1/4\"BSP</td> <td rowspan="2">10</td> <td>25</td> <td rowspan="2">81</td> <td>18</td> <td rowspan="2">87</td> </tr> <tr> <td>1/2\"BSP</td> <td>32</td> <td>22</td> </tr> </tbody> </table>	Q	PN bar	d	D	h	H	1/4\"BSP	10	25	81	18	87	1/2\"BSP	32	22										
Q	PN bar	d	D	h	H																						
1/4\"BSP	10	25	81	18	87																						
1/2\"BSP		32		22																							
26	 <p style="text-align: center;"><b>Mini Seal</b></p>																										
		<table border="1" style="width: 100%; border-collapse: collapse; text-align: center;"> <thead> <tr style="background-color: #008080; color: white;"> <th>DN</th> <th>PN bar</th> <th>c</th> <th>c1</th> <th>c2</th> <th>d</th> <th>x</th> </tr> </thead> <tbody> <tr> <td>1/2\"BSP</td> <td rowspan="2">160</td> <td>6</td> <td>3</td> <td>20</td> <td rowspan="2">57,5</td> <td>74</td> </tr> <tr> <td>1/2\"NPT</td> <td>-</td> <td>-</td> <td>19</td> <td>73</td> </tr> </tbody> </table>	DN	PN bar	c	c1	c2	d	x	1/2\"BSP	160	6	3	20	57,5	74	1/2\"NPT	-	-	19	73						
DN	PN bar	c	c1	c2	d	x																					
1/2\"BSP	160	6	3	20	57,5	74																					
1/2\"NPT		-	-	19		73																					

# "ALL-STAINLESS" PRESSURE GAUGES WITH CAPILLARY, TYPE PFS

## TYPE PFS, capillary tube with chemical seal

### STANDARD MODEL

**CASE** : bayonet lock, AISI304/1.4301, IP-65  
blow-out

**WETTED PARTS** : AISI316L/1.4435, others on demand

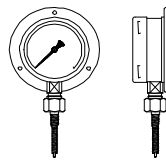
**WINDOW** : mineral glass 4 mm

**DIAL** : aluminium, black figures on white

**POINTER** : aluminium, black

**MOVEMENT** : stainless steel AISI304/1.4301

**CAPILLARY** : AISI304/1.4301 plain or armoured



PFSxxxXB-xx

**RANGE** : -1/0.6 upto 0-60 bar acc. to EN 837-1 (see page 55)  
higher pressure ranges (max. 600 bar): see page 55

**ACCURACY** : case Ø 63 and Ø 80 mm: ±1.6% F.S./class 1.6  
case Ø 100 and Ø 160 mm: ±1.0% F.S./class 1.0

**Tprocess** : -20/+120° Celcius (-40°C upto +400°C on demand)

**OPTIONS** : see page 57-58, electrical contact or transmitter 4-20 mA,  
0-20mA, 0-10Vdc: see page 59-65

TYPE	SEAL MODEL	DN	MINIMUM PN	MAXIMUM PN	CASE DIAMETER xxx (Ø in mm)			
					063	080	100	160
PFSxxxXB-01		1" BSP TURNING NIPPLE	25 bar	600 bar				N.A.
PFSxxxXB-02		1/4" BSP COUPLING NUT	25 bar	600 bar				N.A.
PFSxxxXB-03		1/2" BSP/NPT MALE	1.6 bar	100 bar				
PFSxxxXB-04		1/2" BSP/NPT MALE	100 bar	250 bar				
PFSxxxXB-05		1/2" BSP/NPT FEMALE	1.6 bar	100 bar				
PFSxxxXB-06		1/2" BSP/NPT FEMALE	100 bar	250 bar				
PFSxxxXB-07*		1" ANSI or DN25	1.6 bar	150# or PN16				
PFSxxxXB-08*		1 1/2" ANSI or DN40	1.6 bar	150# or PN40				
PFSxxxXB-09*		2" ANSI or DN50	1.6 bar	150# or PN40				
PFSxxxXB-10*		1" ANSI or DN25	2.5 bar	150# or PN40				
PFSxxxXB-11*		1 1/2" ANSI or DN40	1.6 bar	150# or PN40				
PFSxxxXB-12*		2" ANSI or DN50	1.6 bar	150# or PN40				
<b>CAPILLARY TUBE</b>					<b>EXTRA COSTS</b>			
PLAIN CAPILLARY			AISI321/1.4541 d= 3,2 mm	FIRST 1000 mm:			PER 1000 mm EXTRA:	
ARMOURED CAPILLARY			AISI304/1.4301 d= 7 mm	FIRST 1000 mm:			PER 1000 mm EXTRA :	
ARMOURED CAPILLARY			AISI316/1.4401 d= 7 mm	FIRST 1000 mm:			PER 1000 mm EXTRA:	
<b>OPTIONS</b>	<b>MODEL</b>				<b>CASE DIAMETER xxx (Ø in mm)</b>			
					063	080	100	160
PFSxxxXA-xx		WALL-MOUNTING BRACKET BOTTOM ENTRY						
PFSxxxXD-xx		FRONT FLANGE BOTTOM ENTRY			no extra costs	no extra costs	no extra costs	no extra costs
PFSxxxXH-xx		MOUNTING BEZEL AND U-CLAMP, OFF-CENTRE BACK ENTRY						
PFSxxxXJ-xx		FRONT FLANGE, OFF-CENTRE BACK ENTRY						
PFSxxxLx-xx	CASE GLYCERINE FILLED combination with electrical device: Ondina oil see page 64							

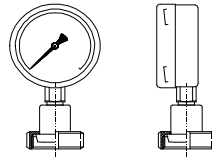
\* Other pressure ratings, flange sizes, materials and in-line connections on demand

# "ALL-STAINLESS" SANITARY PRESSURE GAUGES, TYPE PBQ

## TYPE PBQ, with sanitary chemical seal

### STANDARD MODEL

**CASE** : bayonet lock, AISI304/1.4301, IP-65 standard with blow-out device  
**WETTED PARTS** : flush diaphragm, AISI316L/1.4435  
**WINDOW** : mineral glass 4 mm  
**DIAL** : aluminium, black figures on white  
**POINTER** : aluminium, black  
**MOVEMENT** : stainless steel AISI304/1.4301



PBQ100XA-01

**RANGE** : from -1/0 upto 0-40 bar, acc. to EN-837-1 (see page 55)  
**ACCURACY** : case Ø 63 and Ø 80 mm: ±1.6% F.S./class 1.6  
 case Ø 100 and Ø 160 mm: ±1.0% F.S./class 1.0  
**Tprocess** : -20/+120°Celsius (-40°C upto 250°C on demand)  
**OPTIONS** : see page 57-58, electrical contact or transmitter: 4-20 mA, 0-20mA, 0-10Vdc: see page 59-65

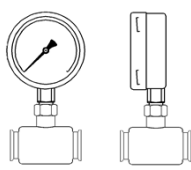
TYPE	NORM	SEAL MODEL	DN	MINIMUM PN	CASE DIAMETER xxx (mm)		
					063	100	160
PBQxxxXA-01	DIN 11 851	GLAND PIECE + COUPLING NUT	1" DN25	6 bar			
PBQxxxXA-02			1½" DN40	1 bar			
PBQxxxXA-03			2" DN50	1 bar			
PBQxxxXA-04		THREAD PIECE	1½" DN40	1 bar			
PBQxxxXA-05			2" DN50	1 bar			
PBQxxxXA-010	DIN 11 864-1 <small>For tubes DIN 11 866 series A</small>	GLAND PIECE + COUPLING NUT	DN25	16 bar			N.A.
PBQxxxXA-020			DN40	1 bar			
PBQxxxXA-030			DN50	1 bar			
PBQxxxXA-040		THREAD PIECE	DN40	1 bar			
PBQxxxXA-050			DN50	1 bar			
PBQxxxXA-06	SMS	GLAND PIECE + COUPLING NUT	1½"	1 bar			
PBQxxxXA-07			2"	1 bar			
PBQxxxXA-08		THREAD PIECE	1½"	1 bar			
PBQxxxXA-09			2"	1 bar			
PBQxxxXA-10	APV - RJT	GLAND PIECE + COUPLING NUT	1½"	1 bar			
PBQxxxXA-11			2"	1 bar			
PBQxxxXA-12		THREAD PIECE	1½"	1 bar			
PBQxxxXA-13			2"	1 bar			
PBQxxxXA-14	ISO 2853 (IDF)	GLAND PIECE + COUPLING NUT	1½"	1 bar			
PBQxxxXA-15			2"	1 bar			
PBQxxxXA-16		THREAD PIECE	1½"	1 bar			
PBQxxxXA-17			2"	1 bar			
PBQxxxXA-18	ISO 2852 <small>TRI-CLAMP, for tubes ISO 2037 and BS 4825 Part 1</small>	TRI-CLAMP	1" - DN25	16 bar			N.A.
PBQxxxXA-19			1½" - DN38	1 bar			
PBQxxxXA-181			2" - DN51	1 bar			
PBQxxxXA-182	DIN 32 676 serie A <small>TRI-CLAMP, for tubes DIN 11 850</small>	TRI-CLAMP	DN25	6 bar			N.A.
PBQxxxXA-183			DN40	1 bar			
PBQxxxXA-183			DN50	1 bar			
PBQxxxXA-191	BS 4825 <small>TRI-CLAMP, for tubes ASME BPE, ISO 1127, BS 4825 Part 3</small>	TRI-CLAMP	NPS ¾"	25 bar			N.A.
PBQxxxXA-192			NPS 1"	16 bar			N.A.
PBQxxxXA-193			NPS 1 ½"	1 bar			
PBQxxxXA-20	VARIVENT <small>TUCHENHAGEN VARIVENT</small>	TRI-CLAMP	DN50	1 bar			
PBQxxxXA-21			DN68	1 bar			
<b>OPTIONS</b>							
OFF-CENTRE BACK CONNECTION			e.g. PBQ100XC-01				
GLYCERINE		GLYCERINE FILLED CASE e.g. PBQ100LA-31 (L = Liquid) (In combination with electrical device see page 64: Ondina oil)					

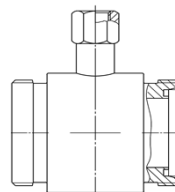
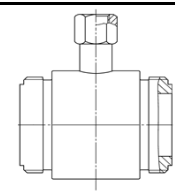
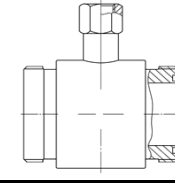
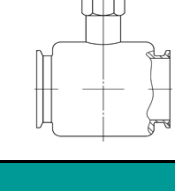
- » Other ranges, pressure ratings, flange sizes, materials and connections on demand
- » Other Standards also available: e.g. Südmo, Naue, Guth, Neumo

# "ALL-STAINLESS" SANITARY PRESSURE GAUGES, TYPE PBQ

## TYPE PBQ, with In-Line sanitary chemical seal

### STANDARD MODEL

<b>CASE</b>	: bayonet lock, AISI304/1.4301, IP-65 blow-out	 <p><b>PBQ100XA-31</b></p>	<b>RANGE</b>	: from -1/0 upto 0-40 bar, acc. to EN-837-1 (see page 55)
<b>BODY</b>	: AISI316Ti/1.4571		<b>ACCURACY</b>	: case Ø 63 and Ø 80 mm: ±1.6% F.S./class 1.6 case Ø 100 and Ø 160 mm: ±1.0% F.S. /class 1.0
<b>WETTED PARTS</b>	: AISI316Ti/1.4571, diaphragm CrNi		<b>Tprocess</b>	: -20°+120° Celcius (-40°C upto 250°C on demand)
<b>WINDOW</b>	: mineral glass 4 mm		<b>OPTIONS</b>	: see page 57-58, electrical contact or transmitter: 4-20 mA, 0-20mA, 0-10Vdc: see page 59-65
<b>DIAL</b>	: aluminium, black figures on white			
<b>POINTER</b>	: aluminium, black			
<b>MOVEMENT</b>	: stainless steel AISI304/1.4301			

TYPE	IN-LINE SEAL NORM	DN	MINIMUM PN	CASE DIAMETER xxx (Ø in mm)		
				063	100	160
PBQxxxXA-22	 <p>DIN-11851</p>	1" DN25	1 bar			
PBQxxxXA-23		1½" DN40	1 bar			
PBQxxxXA-24		2" DN50	1 bar			
PBQxxxXA-25	 <p>APV-ISS</p>	1"	2.5 bar			
PBQxxxXA-26		1 ½"	1 bar			
PBQxxxXA-27		2"	1 bar			
PBQxxxXA-28	 <p>SMS</p>	1"	2.5 bar			
PBQxxxXA-29		1 ½"	1 bar			
PBQxxxXA-30		2"	1 bar			
PBQxxxXA-31	 <p>TRI-CLAMP</p>	1" - 1 ½"	2.5 bar			
PBQxxxXA-32		2"	1 bar			
PBQxxxXA-33		3"	1 bar			
<b>OPTIONS</b>				<b>EXTRA COSTS</b>		
<b>GLYCERINE</b>	GLYCERINE FILLED e.g. PBQ100LA-31 (L = Liquid) (In combination with electrical device: Ondina oil see page 64)					

» Other ranges, pressure ratings, flange sizes, materials and connections on demand

» Other Standards also available: e.g. DIN 11864, Südmo, Naue, Guth, Neumo

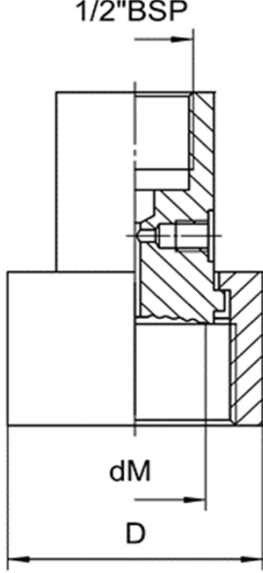

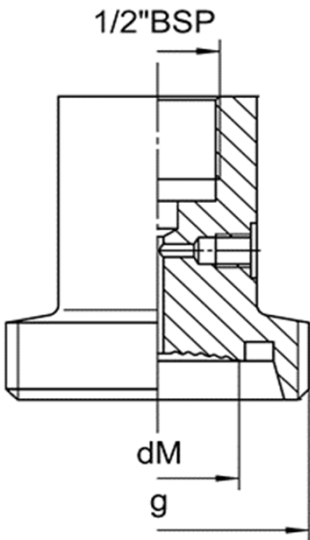

# "ALL STAINLESS" SANITARY PRESSURE GAUGE, TYPE PBQ

TYPE	DRAWING	DIMENSIONS mm																																				
01		<p><b>DIN 11 851</b> GLAND PIECE + COUPLING NUT</p>																																				
			<table border="1"> <thead> <tr> <th>DN</th> <th>PN bar</th> <th>D</th> <th>dM</th> <th>For tube Male ø</th> <th>Tube Female ø</th> </tr> </thead> <tbody> <tr> <td>25</td> <td rowspan="3">40</td> <td>63</td> <td>26</td> <td>29 x 1,5</td> <td>26</td> </tr> <tr> <td>32</td> <td>70</td> <td>32</td> <td>35 x 1,5</td> <td>32</td> </tr> <tr> <td>40</td> <td>78</td> <td>38</td> <td>41 x 1,5</td> <td>38</td> </tr> <tr> <td>50</td> <td rowspan="3">25</td> <td>92</td> <td>48</td> <td>53 x 1,5</td> <td>50</td> </tr> <tr> <td>65</td> <td>112</td> <td>60</td> <td>70 x 2</td> <td>66</td> </tr> <tr> <td>80</td> <td>127</td> <td>72</td> <td>85 x 2</td> <td>81</td> </tr> </tbody> </table>	DN	PN bar	D	dM	For tube Male ø	Tube Female ø	25	40	63	26	29 x 1,5	26	32	70	32	35 x 1,5	32	40	78	38	41 x 1,5	38	50	25	92	48	53 x 1,5	50	65	112	60	70 x 2	66	80	127
DN	PN bar	D	dM	For tube Male ø	Tube Female ø																																	
25	40	63	26	29 x 1,5	26																																	
32		70	32	35 x 1,5	32																																	
40		78	38	41 x 1,5	38																																	
50	25	92	48	53 x 1,5	50																																	
65		112	60	70 x 2	66																																	
80		127	72	85 x 2	81																																	
02																																						
03																																						
04		<p><b>DIN 11 851</b> THREAD PIECE</p>																																				
			<table border="1"> <thead> <tr> <th>DN</th> <th>PN bar</th> <th>dM</th> <th>g</th> <th>For tube Male ø</th> <th>Tube Female ø</th> </tr> </thead> <tbody> <tr> <td>25</td> <td rowspan="5">40</td> <td>26</td> <td>Rd 52 x 1/6</td> <td>29 x 1,5</td> <td>26</td> </tr> <tr> <td>32</td> <td>32</td> <td>Rd 58 x 1/6</td> <td>35 x 1,5</td> <td>32</td> </tr> <tr> <td>40</td> <td>38</td> <td>Rd 65 x 1/6</td> <td>41 x 1,5</td> <td>38</td> </tr> <tr> <td>50</td> <td>48</td> <td>Rd 78 x 1/6</td> <td>53 x 1,5</td> <td>50</td> </tr> <tr> <td>65</td> <td>60</td> <td>Rd 95 x 1/6</td> <td>70 x 2</td> <td>66</td> </tr> </tbody> </table>	DN	PN bar	dM	g	For tube Male ø	Tube Female ø	25	40	26	Rd 52 x 1/6	29 x 1,5	26	32	32	Rd 58 x 1/6	35 x 1,5	32	40	38	Rd 65 x 1/6	41 x 1,5	38	50	48	Rd 78 x 1/6	53 x 1,5	50	65	60	Rd 95 x 1/6	70 x 2	66			
DN	PN bar	dM	g	For tube Male ø	Tube Female ø																																	
25	40	26	Rd 52 x 1/6	29 x 1,5	26																																	
32		32	Rd 58 x 1/6	35 x 1,5	32																																	
40		38	Rd 65 x 1/6	41 x 1,5	38																																	
50		48	Rd 78 x 1/6	53 x 1,5	50																																	
65		60	Rd 95 x 1/6	70 x 2	66																																	
05																																						
010		<p><b>DIN 11 864-1</b> GLAND PIECE + COUPLING NUT</p>																																				
			<table border="1"> <thead> <tr> <th>DN</th> <th>PN bar</th> <th>D</th> <th>dM</th> <th>For tube Male ø</th> <th>Tube Female ø</th> </tr> </thead> <tbody> <tr> <td>25</td> <td rowspan="3">40</td> <td>63</td> <td>21</td> <td>29 x 1,5</td> <td>26</td> </tr> <tr> <td>32</td> <td>70</td> <td>28</td> <td>35 x 1,5</td> <td>32</td> </tr> <tr> <td>40</td> <td>78</td> <td>34</td> <td>41 x 1,5</td> <td>38</td> </tr> <tr> <td>50</td> <td rowspan="3">25</td> <td>92</td> <td>46</td> <td>53 x 1,5</td> <td>50</td> </tr> <tr> <td>65</td> <td>112</td> <td>60</td> <td>70x 2</td> <td>66</td> </tr> <tr> <td>80</td> <td>127</td> <td>72</td> <td>85 x 2</td> <td>81</td> </tr> </tbody> </table>	DN	PN bar	D	dM	For tube Male ø	Tube Female ø	25	40	63	21	29 x 1,5	26	32	70	28	35 x 1,5	32	40	78	34	41 x 1,5	38	50	25	92	46	53 x 1,5	50	65	112	60	70x 2	66	80	127
DN	PN bar	D	dM	For tube Male ø	Tube Female ø																																	
25	40	63	21	29 x 1,5	26																																	
32		70	28	35 x 1,5	32																																	
40		78	34	41 x 1,5	38																																	
50	25	92	46	53 x 1,5	50																																	
65		112	60	70x 2	66																																	
80		127	72	85 x 2	81																																	
020																																						
030																																						
040		<p><b>DIN 11 864-1</b> THREAD PIECE</p>																																				
			<table border="1"> <thead> <tr> <th>DN</th> <th>PN bar</th> <th>dM</th> <th>g</th> <th>For tube Male ø</th> <th>Tube Female ø</th> </tr> </thead> <tbody> <tr> <td>25</td> <td rowspan="4">40</td> <td>21</td> <td>Rd 52 x 1/6</td> <td>29 x 1,5</td> <td>26</td> </tr> <tr> <td>32</td> <td>28</td> <td>Rd 58 x 1/6</td> <td>35 x 1,5</td> <td>32</td> </tr> <tr> <td>40</td> <td>34</td> <td>Rd 65 x 1/6</td> <td>41 x 1,5</td> <td>38</td> </tr> <tr> <td>50</td> <td>46</td> <td>Rd 78 x 1/6</td> <td>53 x 1,5</td> <td>50</td> </tr> </tbody> </table>	DN	PN bar	dM	g	For tube Male ø	Tube Female ø	25	40	21	Rd 52 x 1/6	29 x 1,5	26	32	28	Rd 58 x 1/6	35 x 1,5	32	40	34	Rd 65 x 1/6	41 x 1,5	38	50	46	Rd 78 x 1/6	53 x 1,5	50								
DN	PN bar	dM	g	For tube Male ø	Tube Female ø																																	
25	40	21	Rd 52 x 1/6	29 x 1,5	26																																	
32		28	Rd 58 x 1/6	35 x 1,5	32																																	
40		34	Rd 65 x 1/6	41 x 1,5	38																																	
50		46	Rd 78 x 1/6	53 x 1,5	50																																	
050																																						

# "ALL STAINLESS" SANITARY PRESSURE GAUGE, TYPE PBQ

TYPE	DRAWING	DIMENSIONS mm																																				
06 07	<p><b>SMS</b> GLAND PIECE + COUPLING NUT</p>	<table border="1"> <thead> <tr> <th>NPS</th> <th>PN bar</th> <th>dM</th> <th>D</th> <th>For tube Male ø</th> <th>Tube Female ø</th> </tr> </thead> <tbody> <tr> <td>1"</td> <td>19</td> <td>19</td> <td>51</td> <td>25 x 1,2</td> <td>22,6</td> </tr> <tr> <td>1 1/2"</td> <td>40</td> <td>32</td> <td>74</td> <td>38 x 1,2</td> <td>35,6</td> </tr> <tr> <td>2"</td> <td></td> <td>46</td> <td>84</td> <td>51 x 1,2</td> <td>48,6</td> </tr> <tr> <td>2 1/2"</td> <td></td> <td>56</td> <td>100</td> <td>63,5 x 1,6</td> <td>60,3</td> </tr> <tr> <td>3"</td> <td>25</td> <td>66</td> <td>114</td> <td>76,4 x 1,6</td> <td>72,9</td> </tr> </tbody> </table>	NPS	PN bar	dM	D	For tube Male ø	Tube Female ø	1"	19	19	51	25 x 1,2	22,6	1 1/2"	40	32	74	38 x 1,2	35,6	2"		46	84	51 x 1,2	48,6	2 1/2"		56	100	63,5 x 1,6	60,3	3"	25	66	114	76,4 x 1,6	72,9
			NPS	PN bar	dM	D	For tube Male ø	Tube Female ø																														
1"	19	19	51	25 x 1,2	22,6																																	
1 1/2"	40	32	74	38 x 1,2	35,6																																	
2"		46	84	51 x 1,2	48,6																																	
2 1/2"		56	100	63,5 x 1,6	60,3																																	
3"	25	66	114	76,4 x 1,6	72,9																																	
08 09	<p><b>SMS</b> THREAD PIECE</p>	<table border="1"> <thead> <tr> <th>NPS</th> <th>PN bar</th> <th>dM</th> <th>g</th> <th>For tube Male ø</th> <th>Tube Female ø</th> </tr> </thead> <tbody> <tr> <td>1 1/2"</td> <td rowspan="2">40</td> <td>32</td> <td>Rd 60-6</td> <td>38 x 1,2</td> <td>35,6</td> </tr> <tr> <td>2"</td> <td>46</td> <td>Rd 70-6</td> <td>51 x 1,2</td> <td>48,6</td> </tr> </tbody> </table>	NPS	PN bar	dM	g	For tube Male ø	Tube Female ø	1 1/2"	40	32	Rd 60-6	38 x 1,2	35,6	2"	46	Rd 70-6	51 x 1,2	48,6																			
			NPS	PN bar	dM	g	For tube Male ø	Tube Female ø																														
1 1/2"	40	32	Rd 60-6	38 x 1,2	35,6																																	
2"		46	Rd 70-6	51 x 1,2	48,6																																	
10 11	<p><b>APV - RJT</b> GLAND PIECE + COUPLING NUT</p>	<table border="1"> <thead> <tr> <th>NPS</th> <th>PN bar</th> <th>dM</th> <th>SW (D)</th> <th>For tube Male ø</th> <th>Tube Female ø</th> </tr> </thead> <tbody> <tr> <td>1"</td> <td rowspan="3">40</td> <td>19</td> <td>51</td> <td>25,4 x 1,6</td> <td>22,2</td> </tr> <tr> <td>1 1/2"</td> <td>32</td> <td>65</td> <td>38,1 x 1,6</td> <td>34,9</td> </tr> <tr> <td>2"</td> <td>38</td> <td>79</td> <td>50,8 x 1,6</td> <td>47,6</td> </tr> </tbody> </table>	NPS	PN bar	dM	SW (D)	For tube Male ø	Tube Female ø	1"	40	19	51	25,4 x 1,6	22,2	1 1/2"	32	65	38,1 x 1,6	34,9	2"	38	79	50,8 x 1,6	47,6														
			NPS	PN bar	dM	SW (D)	For tube Male ø	Tube Female ø																														
1"	40	19	51	25,4 x 1,6	22,2																																	
1 1/2"		32	65	38,1 x 1,6	34,9																																	
2"		38	79	50,8 x 1,6	47,6																																	
12 13	<p><b>APV - RJT</b> THREAD PIECE</p>	<table border="1"> <thead> <tr> <th>NPS</th> <th>PN bar</th> <th>dM</th> <th>g</th> <th>For tube Male ø</th> <th>Tube Female ø</th> </tr> </thead> <tbody> <tr> <td>1 1/2"</td> <td rowspan="2">40</td> <td>32</td> <td>2 5/16x1/8"</td> <td>38,1 x 1,6</td> <td>34,9</td> </tr> <tr> <td>2"</td> <td>38</td> <td>2 7/8x1/16"</td> <td>50,8 x 1,6</td> <td>47,6</td> </tr> </tbody> </table>	NPS	PN bar	dM	g	For tube Male ø	Tube Female ø	1 1/2"	40	32	2 5/16x1/8"	38,1 x 1,6	34,9	2"	38	2 7/8x1/16"	50,8 x 1,6	47,6																			
			NPS	PN bar	dM	g	For tube Male ø	Tube Female ø																														
1 1/2"	40	32	2 5/16x1/8"	38,1 x 1,6	34,9																																	
2"		38	2 7/8x1/16"	50,8 x 1,6	47,6																																	

# "ALL STAINLESS" SANITARY PRESSURE GAUGE, TYPE PBQ

TYPE	DRAWING	DIMENSIONS mm																						
14 15	<p>1/2"BSP</p> <p><b>ISO 2853 (IDF)</b> GLAND PIECE + COUPLING NUT</p>  <p>dM</p> <p>D</p>	 <table border="1"> <thead> <tr> <th>NPS</th> <th>PN bar</th> <th>dM</th> <th>D</th> <th>For tube Male ø</th> <th>Tube Female ø</th> </tr> </thead> <tbody> <tr> <td>1"</td> <td rowspan="3">40</td> <td>19</td> <td>52</td> <td>25,6 x 1,5</td> <td>22,6</td> </tr> <tr> <td>1 1/2"</td> <td>32</td> <td>64</td> <td>38,6 x 1,5</td> <td>35,6</td> </tr> <tr> <td>2"</td> <td>46</td> <td>79</td> <td>51,6 x 1,5</td> <td>48,6</td> </tr> </tbody> </table>	NPS	PN bar	dM	D	For tube Male ø	Tube Female ø	1"	40	19	52	25,6 x 1,5	22,6	1 1/2"	32	64	38,6 x 1,5	35,6	2"	46	79	51,6 x 1,5	48,6
		NPS	PN bar	dM	D	For tube Male ø	Tube Female ø																	
1"	40	19	52	25,6 x 1,5	22,6																			
1 1/2"		32	64	38,6 x 1,5	35,6																			
2"		46	79	51,6 x 1,5	48,6																			
16 17	<p>1/2"BSP</p> <p><b>ISO 2853 (IDF)</b> THREAD PIECE</p>  <p>dM</p> <p>g</p>	 <table border="1"> <thead> <tr> <th>NPS</th> <th>PN bar</th> <th>dM</th> <th>g</th> <th>For tube Male ø</th> <th>Tube Female ø</th> </tr> </thead> <tbody> <tr> <td>1 1/2"</td> <td rowspan="2">40</td> <td>34</td> <td>1 1/2"IDF</td> <td>38,6 x 1,5</td> <td>35,6</td> </tr> <tr> <td>2"</td> <td>45</td> <td>2"IDF</td> <td>51,6 x 1,5</td> <td>48,6</td> </tr> </tbody> </table>	NPS	PN bar	dM	g	For tube Male ø	Tube Female ø	1 1/2"	40	34	1 1/2"IDF	38,6 x 1,5	35,6	2"	45	2"IDF	51,6 x 1,5	48,6					
		NPS	PN bar	dM	g	For tube Male ø	Tube Female ø																	
1 1/2"	40	34	1 1/2"IDF	38,6 x 1,5	35,6																			
2"		45	2"IDF	51,6 x 1,5	48,6																			

# "ALL STAINLESS" SANITARY PRESSURE GAUGE, TYPE PBQ

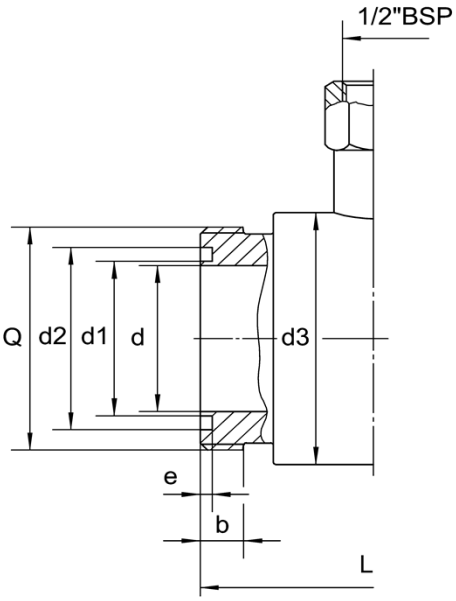

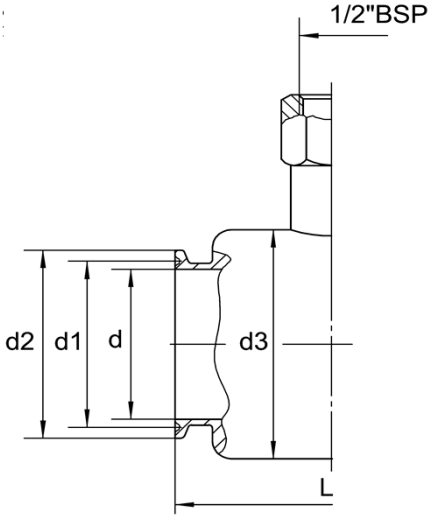

TYPE	DRAWING	DIMENSIONS mm																																																																	
18 19	<p><b>ISO 2852</b> Tri - Clamp</p> <p>1/2" BSP</p> <p>dM</p> <p>D</p> <p>For pipes per ISO 2037 and BS 4825 Part 1</p>	<table border="1"> <thead> <tr> <th>DN</th> <th>PN bar</th> <th>D</th> <th>dM</th> <th>For tube Male ø</th> <th>Tube Female ø</th> </tr> </thead> <tbody> <tr> <td>DN25 - 1"</td> <td rowspan="3">40</td> <td rowspan="3">50.5</td> <td>21</td> <td>25 x 1,2</td> <td>22,6</td> </tr> <tr> <td>DN38 - 1 1/2"</td> <td>32</td> <td>38 x 1,2</td> <td>35,6</td> </tr> <tr> <td>DN51 - 2"</td> <td>46</td> <td>51 x 1,2</td> <td>48,6</td> </tr> <tr> <td>DN63,5 - 2 1/2"</td> <td rowspan="2">25</td> <td rowspan="2">91</td> <td>56</td> <td>63,5 x 1,6</td> <td>60,3</td> </tr> <tr> <td>DN76,1 - 3"</td> <td>66</td> <td>76,1 x 1,6</td> <td>72,9</td> </tr> </tbody> </table>	DN	PN bar	D	dM	For tube Male ø	Tube Female ø	DN25 - 1"	40	50.5	21	25 x 1,2	22,6	DN38 - 1 1/2"	32	38 x 1,2	35,6	DN51 - 2"	46	51 x 1,2	48,6	DN63,5 - 2 1/2"	25	91	56	63,5 x 1,6	60,3	DN76,1 - 3"	66	76,1 x 1,6	72,9																																			
			DN	PN bar	D	dM	For tube Male ø	Tube Female ø																																																											
DN25 - 1"	40	50.5	21	25 x 1,2	22,6																																																														
DN38 - 1 1/2"			32	38 x 1,2	35,6																																																														
DN51 - 2"			46	51 x 1,2	48,6																																																														
DN63,5 - 2 1/2"	25	91	56	63,5 x 1,6	60,3																																																														
DN76,1 - 3"			66	76,1 x 1,6	72,9																																																														
181 182	<p><b>DIN 32 676</b> Tri - Clamp</p> <p>1/2" BSP</p> <p>dM</p> <p>D</p> <p>For pipes per DIN 11 850</p>	<table border="1"> <thead> <tr> <th>NPS</th> <th>PN bar</th> <th>D</th> <th>dM</th> <th>For tube Male ø</th> <th>Tube Female ø</th> </tr> </thead> <tbody> <tr> <td>DN 25</td> <td rowspan="3">40</td> <td rowspan="3">50,5</td> <td>24</td> <td>29 x 1,5</td> <td>26</td> </tr> <tr> <td>DN 32</td> <td>28</td> <td>35 x 1,5</td> <td>32</td> </tr> <tr> <td>DN 40</td> <td>32</td> <td>41 x 1,5</td> <td>38</td> </tr> <tr> <td>DN 50</td> <td rowspan="2">25</td> <td rowspan="2">91</td> <td>46</td> <td>53 x 1,5</td> <td>50</td> </tr> <tr> <td>DN 65</td> <td>60</td> <td>70 x 2</td> <td>66</td> </tr> </tbody> </table>	NPS	PN bar	D	dM	For tube Male ø	Tube Female ø	DN 25	40	50,5	24	29 x 1,5	26	DN 32	28	35 x 1,5	32	DN 40	32	41 x 1,5	38	DN 50	25	91	46	53 x 1,5	50	DN 65	60	70 x 2	66																																			
			NPS	PN bar	D	dM	For tube Male ø	Tube Female ø																																																											
DN 25	40	50,5	24	29 x 1,5	26																																																														
DN 32			28	35 x 1,5	32																																																														
DN 40			32	41 x 1,5	38																																																														
DN 50	25	91	46	53 x 1,5	50																																																														
DN 65			60	70 x 2	66																																																														
191 192	<p><b>BS 4825</b> Tri - Clamp</p> <p>1/2" BSP</p> <p>dM</p> <p>D</p> <p>For pipes per BS 4825 part 3 or ASME BPE</p>	<table border="1"> <thead> <tr> <th colspan="2">ASME BPE</th> <th colspan="2">BS4825 - ISO 1127</th> <th colspan="4">For tubes according to:</th> </tr> <tr> <th colspan="2"></th> <th colspan="2"></th> <th colspan="2">ASME BPE</th> <th colspan="2">ISO 1127</th> </tr> <tr> <th>NPS</th> <th>DN</th> <th>PN bar</th> <th>D</th> <th>dM</th> <th>Tube Male ø</th> <th>Tube Female ø</th> <th>Tube Male ø</th> <th>Tube Female ø</th> </tr> </thead> <tbody> <tr> <td>3/4"</td> <td>20</td> <td rowspan="3">40</td> <td>25,4</td> <td>16</td> <td>19,05 x 1,2</td> <td>16,65</td> <td>26,9 x 1,6</td> <td>23,7</td> </tr> <tr> <td>1"</td> <td>25</td> <td>50,5</td> <td>21</td> <td>25,4 x 1,6</td> <td>22,2</td> <td>33,7 x 2</td> <td>29,7</td> </tr> <tr> <td>1 1/2"</td> <td>38</td> <td>64</td> <td>30</td> <td>38,1 x 1,6</td> <td>34,8</td> <td>42,4 x 2</td> <td>38,4</td> </tr> <tr> <td>2"</td> <td>51</td> <td rowspan="2">25</td> <td rowspan="2">77,5</td> <td rowspan="2">52</td> <td>50,8 x 1,6</td> <td>47,5</td> <td>48,3 x 2</td> <td>44,3</td> </tr> <tr> <td>2 1/2"</td> <td>63,5</td> <td>63,5 x 1,6</td> <td>60,3</td> <td>60,3 x 2</td> <td>56,3</td> </tr> </tbody> </table>	ASME BPE		BS4825 - ISO 1127		For tubes according to:								ASME BPE		ISO 1127		NPS	DN	PN bar	D	dM	Tube Male ø	Tube Female ø	Tube Male ø	Tube Female ø	3/4"	20	40	25,4	16	19,05 x 1,2	16,65	26,9 x 1,6	23,7	1"	25	50,5	21	25,4 x 1,6	22,2	33,7 x 2	29,7	1 1/2"	38	64	30	38,1 x 1,6	34,8	42,4 x 2	38,4	2"	51	25	77,5	52	50,8 x 1,6	47,5	48,3 x 2	44,3	2 1/2"	63,5	63,5 x 1,6	60,3	60,3 x 2	56,3
			ASME BPE		BS4825 - ISO 1127		For tubes according to:																																																												
				ASME BPE		ISO 1127																																																													
NPS	DN	PN bar	D	dM	Tube Male ø	Tube Female ø	Tube Male ø	Tube Female ø																																																											
3/4"	20	40	25,4	16	19,05 x 1,2	16,65	26,9 x 1,6	23,7																																																											
1"	25		50,5	21	25,4 x 1,6	22,2	33,7 x 2	29,7																																																											
1 1/2"	38		64	30	38,1 x 1,6	34,8	42,4 x 2	38,4																																																											
2"	51	25	77,5	52	50,8 x 1,6	47,5	48,3 x 2	44,3																																																											
2 1/2"	63,5				63,5 x 1,6	60,3	60,3 x 2	56,3																																																											
20 21	<p><b>VARIVENT</b></p> <p>1/2" BSP</p> <p>dM</p> <p>d</p>	<table border="1"> <thead> <tr> <th>DN (d)</th> <th>PN bar</th> <th>suitable for In Line housing</th> <th>dM</th> </tr> </thead> <tbody> <tr> <td>50</td> <td>25</td> <td>DN25</td> <td>30</td> </tr> <tr> <td>68</td> <td>16</td> <td>DN40 and up</td> <td>46</td> </tr> </tbody> </table>	DN (d)	PN bar	suitable for In Line housing	dM	50	25	DN25	30	68	16	DN40 and up	46																																																					
			DN (d)	PN bar	suitable for In Line housing	dM																																																													
50	25	DN25	30																																																																
68	16	DN40 and up	46																																																																



# SANITARY SEALS

TYPE	DRAWING	DIMENSIONS mm																																																																								
22 23 24	<p><b>DIN 11851</b></p> <p><b>IN-LINE SEAL</b></p>	<table border="1"> <thead> <tr> <th>DN</th> <th>PN bar</th> <th>b</th> <th>Q</th> <th>d</th> <th>d1</th> <th>d2</th> <th>d3</th> <th>e</th> <th>f</th> <th>L</th> </tr> </thead> <tbody> <tr> <td>20</td> <td rowspan="5">40</td> <td rowspan="5">14</td> <td>Rd 44x1/6</td> <td>19.8</td> <td>23</td> <td>32.8</td> <td>53</td> <td rowspan="5">3.5</td> <td rowspan="5">7</td> <td rowspan="3">140</td> </tr> <tr> <td>25</td> <td>Rd 52x1/6</td> <td>26.2</td> <td>30</td> <td>39.8</td> <td>58</td> </tr> <tr> <td>32</td> <td>Rd 58x1/6</td> <td>31.8</td> <td>36</td> <td>45.8</td> <td>68</td> </tr> <tr> <td>40</td> <td>Rd 65x1/6</td> <td>38</td> <td>42</td> <td>51.8</td> <td>78</td> </tr> <tr> <td>50</td> <td>Rd 78x1/6</td> <td>50.7</td> <td>54</td> <td>63.8</td> <td>88</td> <td rowspan="2">114</td> </tr> <tr> <td>65</td> <td>16</td> <td>Rd 95x1/6</td> <td>65.7</td> <td>71</td> <td>80.8</td> <td>100</td> <td rowspan="2">8</td> <td rowspan="2">116</td> </tr> <tr> <td>80</td> <td>20</td> <td>Rd 110x1/4</td> <td>79.7</td> <td>85</td> <td>94.8</td> <td>116</td> <td rowspan="2">4</td> <td rowspan="2">10</td> <td rowspan="2">120</td> </tr> <tr> <td>100</td> <td>Rd 130x1/4</td> <td>99.7</td> <td>104</td> <td>113.8</td> <td>138</td> </tr> </tbody> </table>	DN	PN bar	b	Q	d	d1	d2	d3	e	f	L	20	40	14	Rd 44x1/6	19.8	23	32.8	53	3.5	7	140	25	Rd 52x1/6	26.2	30	39.8	58	32	Rd 58x1/6	31.8	36	45.8	68	40	Rd 65x1/6	38	42	51.8	78	50	Rd 78x1/6	50.7	54	63.8	88	114	65	16	Rd 95x1/6	65.7	71	80.8	100	8	116	80	20	Rd 110x1/4	79.7	85	94.8	116	4	10	120	100	Rd 130x1/4	99.7	104	113.8	138
			DN	PN bar	b	Q	d	d1	d2	d3	e	f	L																																																													
			20	40	14	Rd 44x1/6	19.8	23	32.8	53	3.5	7	140																																																													
			25			Rd 52x1/6	26.2	30	39.8	58																																																																
			32			Rd 58x1/6	31.8	36	45.8	68																																																																
			40			Rd 65x1/6	38	42	51.8	78																																																																
			50			Rd 78x1/6	50.7	54	63.8	88			114																																																													
			65	16	Rd 95x1/6	65.7	71	80.8	100	8	116																																																															
			80	20	Rd 110x1/4	79.7	85	94.8	116			4	10	120																																																												
			100	Rd 130x1/4	99.7	104	113.8	138																																																																		
25 26 27	<p><b>APV-ISS</b></p> <p><b>IN-LINE SEAL</b></p>	<table border="1"> <thead> <tr> <th>DN</th> <th>PN psi</th> <th>b</th> <th>Q</th> <th>d</th> <th>d1</th> <th>d2</th> <th>d3</th> <th>e</th> <th>f</th> <th>L</th> </tr> </thead> <tbody> <tr> <td>1"</td> <td rowspan="3">600</td> <td rowspan="3">17</td> <td>1 15/32</td> <td>22.5</td> <td>—</td> <td>29</td> <td>—</td> <td>2.6</td> <td>—</td> <td rowspan="3">126</td> </tr> <tr> <td>1 1/2"</td> <td>1 63/64</td> <td>35.5</td> <td>—</td> <td>43</td> <td>—</td> <td>2.6</td> <td>—</td> </tr> <tr> <td>2"</td> <td>2 17/32</td> <td>48.6</td> <td>—</td> <td>56</td> <td>—</td> <td>2.6</td> <td>—</td> <td>100</td> </tr> </tbody> </table>	DN	PN psi	b	Q	d	d1	d2	d3	e	f	L	1"	600	17	1 15/32	22.5	—	29	—	2.6	—	126	1 1/2"	1 63/64	35.5	—	43	—	2.6	—	2"	2 17/32	48.6	—	56	—	2.6	—	100																																	
			DN	PN psi	b	Q	d	d1	d2	d3	e	f	L																																																													
			1"	600	17	1 15/32	22.5	—	29	—	2.6	—	126																																																													
			1 1/2"			1 63/64	35.5	—	43	—	2.6	—																																																														
2"	2 17/32	48.6	—			56	—	2.6	—	100																																																																

# SANITARY SEALS

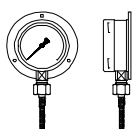
TYPE	DRAWING	DIMENSIONS mm																																					
28	<p><b>SMS</b></p> 																																						
			<table border="1" style="width: 100%; border-collapse: collapse;"> <thead> <tr style="background-color: #008080; color: white;"> <th>DN</th> <th>PN bar</th> <th>b</th> <th>Q</th> <th>d</th> <th>d1</th> <th>d2</th> <th>d3</th> <th>e</th> <th>L</th> </tr> </thead> <tbody> <tr> <td>1"</td> <td rowspan="3" style="text-align: center;">40</td> <td>11</td> <td>Rd 40x1/6</td> <td>22.5</td> <td>25</td> <td>32</td> <td>48</td> <td rowspan="3" style="text-align: center;">3</td> <td rowspan="3" style="text-align: center;">126</td> </tr> <tr> <td>1 1/2"</td> <td>15</td> <td>Rd 60x1/6</td> <td>35.5</td> <td>38</td> <td>48</td> <td>68</td> </tr> <tr> <td>2"</td> <td></td> <td>Rd 70x1/6</td> <td>48.6</td> <td>51</td> <td>61</td> <td>78</td> </tr> </tbody> </table>	DN	PN bar	b	Q	d	d1	d2	d3	e	L	1"	40	11	Rd 40x1/6	22.5	25	32	48	3	126	1 1/2"	15	Rd 60x1/6	35.5	38	48	68	2"		Rd 70x1/6	48.6	51	61	78		
			DN	PN bar	b	Q	d	d1	d2	d3	e	L																											
1"	40	11	Rd 40x1/6	22.5	25	32	48	3	126																														
1 1/2"		15	Rd 60x1/6	35.5	38	48	68																																
2"			Rd 70x1/6	48.6	51	61	78																																
<b>IN-LINE SEAL</b>																																							
31	<p><b>TRI-CLAMP</b></p> 																																						
			<table border="1" style="width: 100%; border-collapse: collapse;"> <thead> <tr style="background-color: #008080; color: white;"> <th>DN</th> <th>PN bar</th> <th>d</th> <th>d1</th> <th>d2</th> <th>d3</th> <th>L</th> </tr> </thead> <tbody> <tr> <td>1"</td> <td rowspan="6" style="text-align: center;">40</td> <td>22.5</td> <td rowspan="2" style="text-align: center;">43.5</td> <td rowspan="2" style="text-align: center;">50.5</td> <td rowspan="2" style="text-align: center;">54</td> <td rowspan="6" style="text-align: center;">100</td> </tr> <tr> <td>1 1/2"</td> <td>35.5</td> </tr> <tr> <td>2"</td> <td>48.6</td> <td>56.5</td> <td>64</td> <td>78</td> </tr> <tr> <td>2 1/2"</td> <td>59.7</td> <td>70.6</td> <td>77.4</td> <td>92</td> </tr> <tr> <td>3"</td> <td>65.7</td> <td>83.5</td> <td>91</td> <td>98</td> </tr> <tr> <td>4"</td> <td>99.7</td> <td>110</td> <td>119</td> <td>133</td> </tr> </tbody> </table>	DN	PN bar	d	d1	d2	d3	L	1"	40	22.5	43.5	50.5	54	100	1 1/2"	35.5	2"	48.6	56.5	64	78	2 1/2"	59.7	70.6	77.4	92	3"	65.7	83.5	91	98	4"	99.7	110	119	133
			DN	PN bar	d	d1	d2	d3	L																														
			1"	40	22.5	43.5	50.5	54	100																														
			1 1/2"		35.5																																		
			2"		48.6	56.5	64	78																															
2 1/2"	59.7	70.6	77.4		92																																		
3"	65.7	83.5	91		98																																		
4"	99.7	110	119		133																																		
<b>IN-LINE SEAL</b>																																							
32																																							
33																																							

# "ALL-STAINLESS" SANITARY PRESSURE GAUGES, TYPE PFQ

## TYPE PFQ, capillary tube with sanitary chemical seal

### STANDARD MODEL

**CASE** : bayonet lock, AISI304/1.4301, IP-65 standard with blow-out device  
**WETTED PARTS** : flush diaphragm, AISI316L/1.4435  
**WINDOW** : mineral glass 4 mm  
**DIAL** : aluminium, black figures on white  
**POINTER** : aluminium, black  
**MOVEMENT** : stainless steel AISI304/1.4301



PFQxxxXB-xx

**CAPILLARY** : AISI321/1.4541 plain or armoured  
**RANGE** : -1/0.6 upto 0-40 bar acc. to EN 837-1 (see page 55)  
**ACCURACY** : case Ø 63 and Ø 80 mm: ±1.6% F.S./class 1.6  
                   case Ø 100 and Ø 160 mm: ±1.0% F.S. /class 1.0  
**Tprocess** : -20/+120° Celcius (-40/+400°C on demand)  
**OPTIONS** : see page 57-58, electrical contacts and/or transmitters  
                   4-20mA, 0-20mA, 0-10Vdc: see page 59-65

TYPE	SEAL		DN	MINIMUM PN	CASE DIAMETER xxx (Ø in mm)			
	NORM	MODEL			063	080	100	160
PFQxxxXB-01	DIN 11851		1"	1.6 bar				
PFQxxxXB-02			DN25	1.6 bar				
PFQxxxXB-03	GLAND PIECE + COUPLING NUT		1 1/2"	1.6 bar				
PFQxxxXB-06			DN40	1.6 bar				
PFQxxxXB-07	SMS 1145		2"	1.6 bar				
PFQxxxXB-10			DN50	1.6 bar				
PFQxxxXB-11	APV-RJT (BS)		1 1/2"	1.6 bar				
PFQxxxXB-14			DN40	1.6 bar				
PFQxxxXB-15	GLAND PIECE + COUPLING NUT		2"	1.6 bar				
PFQxxxXB-18			DN50	1.6 bar				
PFQxxxXB-19	IDF-ISS ISO-2853		1" - 1 1/2"	1.6 bar				
PFQxxxXB-20			DN50	1.6 bar				
PFQxxxXB-21	TUCHENHAGEN VARIVENT IN-LINE		2"	1.6 bar				
PFQxxxXB-21			DN68	1.6 bar				

CAPILLARY TUBE			EXTRA COSTS			
PLAIN CAPILLARY		AISI316/1.4401 d= 3,2 mm	FIRST 1000 mm :		PER 1000 mm EXTRA :	
ARMOURED CAPILLARY		AISI304/1.4301 d= 7 mm	FIRST 1000 mm :		PER 1000 mm EXTRA :	
ARMOURED CAPILLARY		AISI316/1.4401 d= 7 mm	FIRST 1000 mm :		PER 1000 mm EXTRA :	

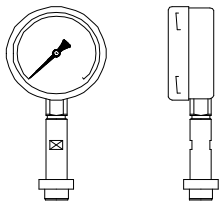
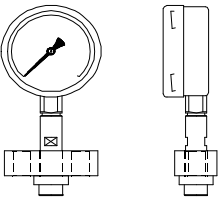
OPTIONS			CASE DIAMETER xxx (Ø in mm)			
			063	080	100	160
PFQxxxXA-xx		WALL MOUNTING BRACKET BOTTOM ENTRY				
PFQxxxXD-xx		FRONT FLANGE BOTTOM ENTRY	no extra costs	no extra costs	no extra costs	no extra costs
PFQxxxXH-xx		MOUNTING BEZEL AND U-CLAMP, OFF-CENTRE BACK ENTRY				
PFQxxxXJ-xx		FRONT FLANGE, OFF-CENTRE BACK ENTRY				
PFQxxxLx-xx	CASE GLYCERINE FILLED (In combination with electrical device: Ondina oil see page 64)					

# ALL-STAINLESS" PRESSURE GAUGES FOR HOMOGENISERS

## TYPE PBR, chemical seal with flush diaphragm and built-in pulsation dampener

### STANDARD MODEL

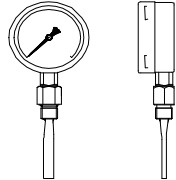
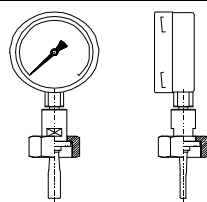
<b>CASE</b>	: bayonet lock, AISI304/1.4301, IP-65 standard with blow-out device	<b>RANGE</b>	: 0 + 25 upto 0 + 60 bar, standard acc. to EN 837-1 (see page 55) higher pressure ranges (max. 1000 bar)
<b>WETTED PARTS</b>	: flush diaphragm, AISI316Ti/1.4571	<b>ACCURACY</b>	: case Ø 100 and Ø 160 mm: ±1.0% F.S. /class 1.0
<b>WINDOW</b>	: mineral glass 4 mm	<b>Tprocess</b>	: -20/+120°Celcius (-40°C upto +250°C on demand)
<b>DIAL</b>	: aluminium, black figures on white	<b>OPTIONS</b>	: see page 57-58, electrical contact or transmitter 4-20 mA, 0-20mA, 0-10Vdc: see page 59-65
<b>POINTER</b>	: aluminium, black		
<b>MOVEMENT</b>	: stainless steel AISI304/1.4301		

TYPE	MODEL	CONNECTION	CASE DIAMETER xxx (Ø in mm)			
			100		160	
PBRxxxXA-01		WITHOUT FLANGE				
PBRxxxXA-02		WITH FLANGE 95x43x28 mm with 2 holes Ø17 mm on pitch 60 mm				

## TYPE PBT, finger type chemical seal with built-in pulsation dampener

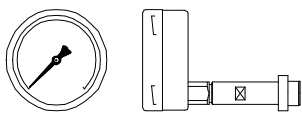
### STANDARD MODEL

<b>CASE</b>	: bayonet lock, AISI304/1.4301, IP-65 standard with blow-out device	<b>RANGE</b>	: 0 + 16 upto 0 + 60 bar, standard acc. to EN 837-1 (see page 55) high pressure ranges (max. 1000 bar)
<b>WETTED PARTS</b>	: tubular probe ±100 mm, AISI316Ti/1.4571	<b>ACCURACY</b>	: case Ø 100 and Ø 160 mm: ±1.0% F.S. /class 1.0
<b>WINDOW</b>	: mineral glass 4 mm	<b>Tprocess</b>	: -20/+120°Celcius (-40°C upto +250°C on demand)
<b>DIAL</b>	: aluminium, black figures on white	<b>OPTIONS</b>	: see page 57-58, electrical contact or transmitter 4-20 mA, 0-20mA, 0-10Vdc: see page 59-65
<b>POINTER</b>	: aluminium, black		
<b>MOVEMENT</b>	: stainless steel AISI304/1.4301		

TYPE	MODEL	CONNECTION	CASE DIAMETER xxx (Ø in mm)			
			100		160	
PBTxxxXA-01		½" BSP male				
PBTxxxXA-02		¾" BSP male				
PBTxxxXA-03		1" BSP male				
PBTxxxXA-04		¾" BSP female				
PBTxxxXA-05		1" BSP female				
PBTxxxXA-06		1¼" BSP female				

### OPTIONS FOR TYPE PBR AND PBT

### EXTRA COSTS

PBRxxxXC-xx PBTxxxXC-xx	  EXAMPLE: PBRxxxXC-01	OFF-CENTRE BACK CONNECTION				
PBxxxxLx-xx	CASE GLYCERINE FILLED (in combination with electrical device: Ondina oil see page 64)					

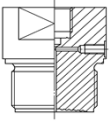
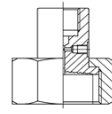
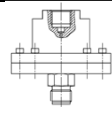
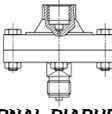
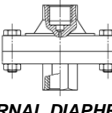
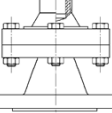
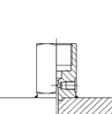

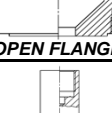

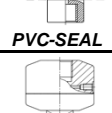
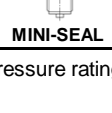
**"ALL STAINLESS" PRESSURE GAUGES FOR HOMOGENISERS**

TYPE	DRAWING	DIMENSIONS mm																												
PBR	<p align="center"><b>Flush diaphragm</b></p>	<table border="1"> <thead> <tr> <th>Flange</th> <th>PN</th> <th>x</th> <th>x1</th> <th>x2</th> <th>d</th> <th>k</th> <th>Flange</th> </tr> </thead> <tbody> <tr> <td>With</td> <td>1000</td> <td>89</td> <td>12.3</td> <td>10</td> <td>23.8</td> <td>35</td> <td rowspan="2">95x43x28, holes ø17mm, pitch 60</td> </tr> <tr> <td>Without</td> <td></td> <td></td> <td></td> <td></td> <td></td> <td></td> </tr> </tbody> </table>	Flange	PN	x	x1	x2	d	k	Flange	With	1000	89	12.3	10	23.8	35	95x43x28, holes ø17mm, pitch 60	Without											
			Flange	PN	x	x1	x2	d	k	Flange																				
With	1000	89	12.3	10	23.8	35	95x43x28, holes ø17mm, pitch 60																							
Without																														
PBT	<p align="center"><b>Finger Type male connection</b></p>	<table border="1"> <thead> <tr> <th>DN</th> <th>PN bar</th> <th>x</th> <th>x1</th> <th>L</th> <th>g</th> <th>d</th> <th>s</th> <th>HEX</th> </tr> </thead> <tbody> <tr> <td>½"BSP</td> <td rowspan="3">1000</td> <td>55</td> <td>20</td> <td rowspan="3">102</td> <td rowspan="3">½"BSP</td> <td rowspan="3">13</td> <td rowspan="3">6</td> <td>27</td> </tr> <tr> <td>¾"BSP</td> <td>55</td> <td>27</td> <td>36</td> </tr> <tr> <td>1"BSP</td> <td>56</td> <td>21</td> <td>41</td> </tr> </tbody> </table>	DN	PN bar	x	x1	L	g	d	s	HEX	½"BSP	1000	55	20	102	½"BSP	13	6	27	¾"BSP	55	27	36	1"BSP	56	21	41		
			DN	PN bar	x	x1	L	g	d	s	HEX																			
			½"BSP	1000	55	20	102	½"BSP	13	6	27																			
¾"BSP	55	27	36																											
1"BSP	56	21	41																											
PBT	<p align="center"><b>Finger Type female connection</b></p>	<table border="1"> <thead> <tr> <th>DN</th> <th>PN bar</th> <th>h</th> <th>h1</th> <th>h2</th> <th>L</th> <th>d</th> <th>d1</th> <th>d2</th> <th>s</th> <th>HEX</th> </tr> </thead> <tbody> <tr> <td>¾"BSP</td> <td rowspan="3">1000</td> <td>15</td> <td rowspan="3">25</td> <td rowspan="3">30</td> <td rowspan="3">112</td> <td rowspan="3">13</td> <td rowspan="3">15</td> <td rowspan="3">20</td> <td rowspan="3">6</td> <td>32</td> </tr> <tr> <td>1"BSP</td> <td>19</td> <td>41</td> </tr> <tr> <td>1¼"BSP</td> <td>19</td> <td>50</td> </tr> </tbody> </table>	DN	PN bar	h	h1	h2	L	d	d1	d2	s	HEX	¾"BSP	1000	15	25	30	112	13	15	20	6	32	1"BSP	19	41	1¼"BSP	19	50
			DN	PN bar	h	h1	h2	L	d	d1	d2	s	HEX																	
			¾"BSP	1000	15	25	30	112	13	15	20	6	32																	
1"BSP	19	41																												
1¼"BSP	19	50																												
PBT	<p align="center"><b>Finger Type female connection</b></p>	<table border="1"> <thead> <tr> <th>DN</th> <th>PN bar</th> <th>h</th> <th>h1</th> <th>h2</th> <th>L</th> <th>d</th> <th>d1</th> <th>d2</th> <th>s</th> <th>HEX</th> </tr> </thead> <tbody> <tr> <td>¾"BSP</td> <td rowspan="3">1000</td> <td>15</td> <td rowspan="3">25</td> <td rowspan="3">30</td> <td rowspan="3">112</td> <td rowspan="3">13</td> <td rowspan="3">15</td> <td rowspan="3">20</td> <td rowspan="3">6</td> <td>32</td> </tr> <tr> <td>1"BSP</td> <td>19</td> <td>41</td> </tr> <tr> <td>1¼"BSP</td> <td>19</td> <td>50</td> </tr> </tbody> </table>	DN	PN bar	h	h1	h2	L	d	d1	d2	s	HEX	¾"BSP	1000	15	25	30	112	13	15	20	6	32	1"BSP	19	41	1¼"BSP	19	50
			DN	PN bar	h	h1	h2	L	d	d1	d2	s	HEX																	
			¾"BSP	1000	15	25	30	112	13	15	20	6	32																	
1"BSP	19	41																												
1¼"BSP	19	50																												

# DIFFERENTIAL PRESSURE GAUGES WITH CHEMICAL SEALS

## TYPE PBD; PCD; PDD; PMD; POD; PSD, with chemical seals

**WETTED PARTS** : AISI316L/1.4435, other on demand      **Tprocess** : 0/+120 °C (-40°C upto +200°C on demand)  
**ACCURACY** : ±1.6% F.S./class 1.6      **CAPILLARY** : 3.2 mm AISI316L/1.4435  
**FILLING FLUID** : marcol, other on demand      **OPTIONS** : st.st. spiral and/or PVC protection on capillary

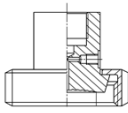
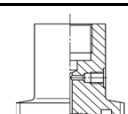
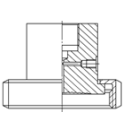
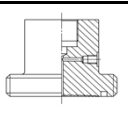
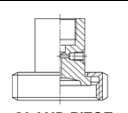



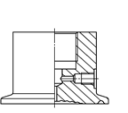
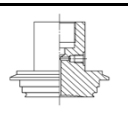
SEAL MODEL <small>for dimensions see page 17-22</small>	CONNECTION	Differential pressure gauge type										
		PBD		PCD	PDD		PMD		POD		PSD	
		min. range	max. range		min. range	max. range	min. range	max. range	min. range	max. range		
-01	 FLUSH DIAPHRAGM	½"BSP/NPT	x	x	x	x	x	x	x	x	x	x
-02		¾"BSP/NPT	x	x	x	x	x	x	x	x	x	x
-03		1"NPT	x	x	x	x	x	x	x	x	x	x
-03		1"BSP	0.6 bar	16 bar	x	x	x	x	x	x	x	x
-0338		1½"BSP/NPT	0.6 bar	16 bar	x	x	x	x	x	x	x	x
-0350		2"BSP/NPT	0.6 bar	16 bar	x	x	x	x	x	x	x	x
-04	 FLUSH DIAPHRAGM	1"BSP female	x	x	x	x	x	x	x	x	x	x
-05		1¼"BSP female	0.6 bar	16 bar	x	x	x	x	x	x	x	x
-0538		1½"BSP female	0.6 bar	16 bar	x	x	x	x	x	x	x	x
-0550		2"BSP female	0.6 bar	16 bar	x	x	x	x	x	x	x	x
-06	 INTERNAL DIAPHRAGM	½"BSP/NPT	0.6 bar	16 bar	x	x	x	x	x	x	x	x
-07		¾"BSP/NPT	0.6 bar	16 bar	x	x	x	x	x	x	x	x
-08		1"BSP/NPT	0.6 bar	16 bar	x	x	x	x	x	x	x	x
-09	 INTERNAL DIAPHRAGM	½"BSP/NPT	0.6 bar	16 bar	x	1 bar	16 bar	0.25 bar	25 bar	1 bar	25 bar	x
-10		½"BSP/NPT	0.6 bar	16 bar	x	1 bar	16 bar	0.25 bar	25 bar	1 bar	25 bar	x
-11	 INTERNAL DIAPHRAGM	½"BSP/NPT female	0.6 bar	16 bar	x	1 bar	16 bar	0.25 bar	25 bar	1 bar	25 bar	x
-12		½"BSP/NPT female	0.6 bar	16 bar	x	1 bar	16 bar	0.25 bar	25 bar	1 bar	25 bar	x
-13	 INTERNAL DIAPHRAGM	3/4-1"ANSI or DN20-25	0.6 bar	16 bar	x	1 bar	16 bar	0.25 bar	25 bar	1 bar	25 bar	x
-14		1½"ANSI or DN40	0.6 bar	16 bar	x	1 bar	16 bar	0.25 bar	25 bar	1 bar	25 bar	x
-15		2"ANSI or DN50	0.6 bar	16 bar	x	1 bar	16 bar	0.25 bar	25 bar	1 bar	25 bar	x
-16	 FLUSH DIAPHRAGM	3/4"ANSI or DN20	x	x	x	x	x	x	x	x	x	x
-16		1"ANSI or DN25	0.6 bar	16 bar	x	x	x	x	x	x	x	x
-17		1½"ANSI or DN40	0.6 bar	16 bar	x	x	x	x	x	x	x	x
-18		2"ANSI or DN50	0.6 bar	16 bar	x	x	x	x	x	x	x	x
-1880	 FLUSH DIAPHRAGM	3"ANSI or DN80	0.6 bar	16 bar	x	1 bar	16 bar	0.25 bar	25 bar	1 bar	25 bar	x
-18100		4"ANSI or DN100	0.6 bar	16 bar	x	1 bar	16 bar	0.25 bar	25 bar	1 bar	25 bar	x
-19	 OPEN FLANGE	1/2"ANSI or DN15-20	0.6 bar	16 bar	x	1 bar	16 bar	0.25 bar	25 bar	1 bar	25 bar	x
-20		1"ANSI or DN25	0.6 bar	16 bar	x	1 bar	16 bar	0.25 bar	25 bar	1 bar	25 bar	x
-21		2"ANSI or DN50	0.6 bar	16 bar	x	1 bar	16 bar	0.25 bar	25 bar	1 bar	25 bar	x
-22	 PAPER-SEAL	DN 48 tube 6,5mm	0.6 bar	16 bar	x	x	x	x	x	x	x	x
-23		DN 48 tube 15mm	0.6 bar	16 bar	x	x	x	x	x	x	x	x
-24	 PVC-SEAL	¼"BSP/NPT female	O.D.	O.D.	x	x	x	x	x	x	x	x
-25		½"BSP/NPT female	O.D.	O.D.	x	x	x	x	x	x	x	x
-26	 MINI-SEAL	½"BSP/NPT	0.6 bar	16 bar	x	x	x	x	x	x	x	x

» Other ranges, pressure ratings, flange sizes (such as JIS; ...), materials (such as PTFE; Tantalum, ...) and connections on demand.

# DIFFERENTIAL PRESSURE GAUGES WITH SANITARY SEALS

## TYPE PBD; PCD; PDD; PMD; POD; PSD, with sanitary seals

<b>WETTED PARTS</b>	: AISI316L/1.4435, other on demand	<b>Tprocess</b>	: 0/+120 °C (-40°C upto +200°C on demand)
<b>ACCURACY</b>	: ±1.6% F.S./class 1.6	<b>CAPILLARY</b>	: 3.2 mm AISI316L/1.4435
<b>FILLING FLUID</b>	: marcol, other on demand	<b>OPTIONS</b>	: st.st. spiral and/or PVC protection on capillary

SEAL MODEL <small>for dimensions see page 27-30</small>		CONNECTION	Differential pressure gauge type									
			PBD		PCD	PDD		PMD		POD		PSD
			min. range	max. range		min. range	max. range	min. range	max. range	min. range	max. range	
-01	 DIN-11851	1" DN25	0.6 bar	16 bar	x	x	x	x	x	x	x	x
-0232		1¼" DN32	0.6 bar	16 bar	x	x	x	x	x	x	x	x
-02		1½" DN40	0.6 bar	16 bar	x	x	x	x	x	x	x	x
-03		2" DN50	0.6 bar	16 bar	x	x	x	x	x	x	x	x
-0365		2½" DN65	0.6 bar	16 bar	x	x	x	x	x	x	x	x
-0380	GLAND PIECE + COUPLING NUT	3" DN80	0.6 bar	16 bar	x	0.6 bar	16 bar	0.25 bar	25 bar	1 bar	25 bar	x
-0425	 DIN-11851	1" DN25	x	x	x	x	x	x	x	x	x	x
-0432		1¼" DN32	0.6 bar	16 bar	x	x	x	x	x	x	x	x
-04		1½" DN40	0.6 bar	16 bar	x	x	x	x	x	x	x	x
-05		2" DN50	0.6 bar	16 bar	x	x	x	x	x	x	x	x
-0565		THREAD PIECE	2½" DN65	0.6 bar	16 bar	x	x	x	x	x	x	x
-0625	 SMS 1145	1"	x	x	x	x	x	x	x	x	x	x
-06		1½"	0.6 bar	16 bar	x	x	x	x	x	x	x	x
-07		2"	0.6 bar	16 bar	x	x	x	x	x	x	x	x
-0765		2½"	0.6 bar	16 bar	x	x	x	x	x	x	x	x
-0780		GLAND PIECE + COUPLING NUT	3"	0.6 bar	16 bar	x	0.6 bar	16 bar	0.25 bar	25 bar	1 bar	25 bar
-08	 SMS 1145	1½"	0.6 bar	16 bar	x	x	x	x	x	x	x	x
-09		2"	0.6 bar	16 bar	x	x	x	x	x	x	x	x
-1025	 APV - RJT	1"	x	x	x	x	x	x	x	x	x	x
-10		1½"	0.6 bar	16 bar	x	x	x	x	x	x	x	x
-11		GLAND PIECE + COUPLING NUT	2"	0.6 bar	16 bar	x	x	x	x	x	x	x
-12	 APV - RJT	1½"	0.6 bar	16 bar	x	x	x	x	x	x	x	x
-13		THREAD PIECE	2"	0.6 bar	16 bar	x	x	x	x	x	x	x
-1425	 IDF ISO-2853	1"	x	x	x	x	x	x	x	x	x	x
-14		1½"	0.6 bar	16 bar	x	x	x	x	x	x	x	x
-15		GLAND PIECE + COUPLING NUT	2"	0.6 bar	16 bar	x	x	x	x	x	x	x
-16	 IDF ISO-2853	1½"	0.6 bar	16 bar	x	x	x	x	x	x	x	x
-17		THREAD PIECE	2"	0.6 bar	16 bar	x	x	x	x	x	x	x
-18	 ISO-2852	1"	x	x	x	x	x	x	x	x	x	x
-18		1½"	0.6 bar	16 bar	x	x	x	x	x	x	x	x
-19		2"	0.6 bar	16 bar	x	x	x	x	x	x	x	x
-1965		2½"	0.6 bar	16 bar	x	x	x	x	x	x	x	x
-1980		TR-CLAMP	3"	0.6 bar	16 bar	x	0.6 bar	16 bar	0.25 bar	25 bar	1 bar	25 bar
-20	 VARIVENT	DN50	0.6 bar	16 bar	x	x	x	x	x	x	x	x
-21		TUCHENHAGEN VARIVENT	DN68	0.6 bar	16 bar	x	x	x	x	x	x	x

- » Other ranges, pressure ratings, flange sizes, materials and connections on demand
- » Other Standards also available: e.g. DIN 11864, Südmo, Naue, Guth, Neumo

## STANDARD PRESSURE RANGES FOR TYPES:

**PBX, PBX-TG, PBX-SF, PBB, PMX, PPB, PBS, PFS, PBQ, PFQ, PBR, PBT, RPX, RPP, PBX-SS, DIFFERENTIAL PRESSURE GAUGES**

PRESSURE RANGES				EXTRA COSTS										
(in bar)*****	SCALE DIVISION			CASE DIMENSIONS ( in mm)										
	cl. 1.0 cl. 1.6	OPTION		Ø 63	Ø 80	Ø 100	Ø 160	Ø 250	72x72	96x96	144x144	192x192 280x280 380x380 400x300 500x400	72x144 144x72	192x96 96x192
		cl. 0.6 cl. 0.5	only PBX-TG cl. 0.3 cl. 0.25											
-1 ...0	0.02	0.005	0.005											
-1 ...0.6	0.05	0.01	0.005											
-1 ...1.5	0.05	0.02	0.01											
-1 ...3	0.1	0.02	0.01											
-1 ...5	0.1	0.05	0.02											
-1 ...9	0.2	0.05	0.05											
-1 ...15	0.5	0.1	0.05											
-1 ...24	0.5	0.2	0.1											
0 ...0.6	0.01	x	x											
0 ...1	0.02	0.005	0.005											
0 ...1.6	0.05	0.01	0.005											
0 ...2.5	0.05	0.02	0.01											
0 ...4	0.1	0.02	0.01											
0 ...6	0.1	0.05	0.02											
0 ...10	0.2	0.05	0.05											
0 ...16	0.5	0.1	0.05											
0 ...25	0.5	0.2	0.1											
0 ...40	1	0.2	0.1											
0 ...60	1	0.5	0.2											
0 ...100	2	0.5	0.5											
0 ...160	5	1	0.5											
0 ...250 <b>CE</b>	5	2	1											
0 ...400 <b>CE</b>	10	2	1											
0 ...600 <b>CE</b>	10	5	2											
0 ...1000 <b>CE</b>	20	5	5											
0 ...1600 <b>CE</b>	50	x	x	x	x			x					x	x
0 ...2000 <b>CE</b>	50	x	x	x	x			x	x	x	x	x	x	x
0 ...2500* <b>CE</b>	50	x	x	x	x			x	x	x	x	x	x	x
0 ...3000* <b>CE</b>	50	x	x	x	x			x	x	x	x	x	x	x
0 ...4000** <b>CE</b>	50	x	x	x	x		See p14	x	x	x	x	x	x	x
0 ...5000***, 0 ... 6000*** and 0 ...7000*** - see page 14 <b>CE</b>														
<b>NON STANDARD RANGES</b>														
e.g. 0-7 bar or 0-110 psi														
<b>DOUBLE SCALES</b>														
e.g. bar/psi, bar/kPa, etc.														
FREON SCALES e.g. R12, R134A, R22, R404A, R407C, R502, R504, R717, NH3														
<b>ACCURACY</b>														
±1.6% F.S. (class 1.6)				.	.	x	x	x	.	.	x	x	x	x
±1.0% F.S. (class 1.0)						.	.	.			.	.	.	.
±0.6 / 0.5 %F.S. (class 0.6 or 0.5)***				x	x				x	x				
±0.3 / 0.25 %F.S. (class 0.3 or 0.25) ****				x	x	x	****	****	x	x	x	x	x	x
Mirrorscale (standard for PBX-TG, page 12)				x	x	x			x	x	x	x	x	x
<b>TRM scales</b>														
0 ...100 % lin.														
0 ...10 square root														
0.2 ...1 bar														
3 ...15 psi														
20 ...100 kPa														
x	NOT AVAILABLE			* ELEMENT CrMo52 i.o. AISI316Ti/1.4571				*** ONLY FOR TYPE PBX OR PBX-SF						
•	STANDARD			** ELEMENT NiSpan C i.o. AISI316Ti/1.4571				**** ONLY FOR TYPE PBX-TG - see page 12						
***** Scale in Psi, kPa, kg/cm², mWC etc. available with no extra charge														



## STANDARD PRESSURE RANGES FOR TYPES: PCX, PMX, PPC, PCD, PMD

PRESSURE RANGES												
(in mbar) **		SCALE DIVISION		CASE DIMENSIONS (in mm)								
		cl. 1.6	option cl. 1.0	Ø 100	Ø 160	Ø 250	72x72	96x96	144x144	192x192	72x144 144x72	192x96 96x192
-4 ...0*	0 ...4*	0.1	0.1	x	•	x	x	x	•	•	x	•
-6 ...0*	0 ...6*	0.1	0.1	x	•	x	x	x	•	•	x	•
-10 ...0*	0 ...10*	0.2	0.2	x	•	x	x	x	•	•	•	•
-16 ...0*	0 ...16*	0.5	0.5	x	•	x	x	x	•	•	•	•
-25 ...0	0 ...25	0.5	0.5	•	•	•	x	•	•	•	•	•
-40 ...0	0 ...40	1	1	•	•	•	•	•	•	•	•	•
-60 ...0	0 ...60	1	1	•	•	•	•	•	•	•	•	•
-100 ...0	0 ...100	2	2	•	•	•	•	•	•	•	•	•
-160 ...0	0 ...160	5	5	•	•	•	•	•	•	•	•	•
-250 ...0	0 ...250	5	5	•	•	•	•	•	•	•	•	•
-400 ...0	0 ...400	10	10	•	•	•	•	•	•	•	•	•
-2.5 ...1.5*	-1.5 ...2.5*	0.1	0.1	x	•	x	x	x	•	•	x	•
-4 ...2*	-2 ...4*	0.1	0.1	x	•	x	x	x	•	•	x	•
-6 ...4*	-4 ...6*	0.2	0.2	x	•	x	x	x	•	•	•	•
-10 ...6*	-6 ...10*	0.5	0.5	x	•	x	x	x	•	•	•	•
-15 ...10	-10 ...15	0.5	0.5	•	•	•	x	•	•	•	•	•
-25 ...15	-15 ...25	1	1	•	•	•	•	•	•	•	•	•
-40 ...20	-20 ...40	1	1	•	•	•	•	•	•	•	•	•
-60 ...40	-40 ...60	2	2	•	•	•	•	•	•	•	•	•
-100 ...60	-60 ...100	5	5	•	•	•	•	•	•	•	•	•
-150 ...100	-100 ...150	5	5	•	•	•	•	•	•	•	•	•
-250 ...150	-150 ...250	10	10	•	•	•	•	•	•	•	•	•
<b>NON STANDARD RANGES:</b>												
e.g. 0-50 mbar etc.												
<b>DOUBLE SCALES</b>												
e.g. mbar/mmWC, mbar/Pa, etc.												
<b>ACCURACY</b>												
±1.6% F.S. / class 1.6				•	•	•	•	•	•	•	•	•
±1.0% F.S. / class 1.0 *							x				x	x
Mirrorscale				x			x	x	x	x	x	x

NOT AVAILABLE     STANDARD

\* not for type PMX and ALL differential pressure gauges

\*\* Scale in psi, kPa, kg/cm<sup>2</sup>, mWC etc. available with no extra charge

### MARKING FOR PRESSURE GAUGES

OPTIONS	EXTRA PRICE
TAG number on dial	
TAG number on AISI304/1.4301 TAG plate 55x25 mm	
Lettering on dial	
Red mark on dial	

### CERTIFICATES FOR PRESSURE GAUGES

TYPE OF CERTIFICATE	NET PRICES
Certificate of Conformity acc. to EN 10204 2.2.	
Material certificate wetted parts acc. to EN 10204 3.1	
ATEX certification, including ATEX on the dial; only possible with STIKO logo for gauges without contact <b>INSTRUMENTS WITH ATEX CERTIFICATION SHALL ALSO HAVE SAFETY GLASS AND A BLOW - OUT</b>	PER ORDER
ATEX certification, including ATEX on the dial; only possible with STIKO logo for gauges with inductive contact <b>INSTRUMENTS WITH ATEX CERTIFICATION SHALL ALSO HAVE SAFETY GLASS AND A BLOW - OUT</b>	PER INSTRUMENT
Pressure (Bar)	<=2500    2500-4000    >=4000
Calibration certificate pressure gauge (standard for PBX-TG - see page 12)	Certificate traceable to international standards
Calibration certificate pressure gauge with transmitter (see page 64)	
Calibration certificates for type PBB (duplex)	

## OPTIONS ON PRESSURE GAUGES

TYPE	CASE DIMENSIONS (in mm)	EXTRA COSTS								
		CONNECTIONS						CASE & BEZEL		
		1/8" BSP/NPT max. 400 bar	1/4" BSP/NPT max. 1000 bar	1/2" BSP max. 2500 bar***, 1/2" NPT max. 1000 bar	3/8" BSP/NPT max. 1000 bar	M20x1.5 max. 1600 bar	M16x1.5 H.P. female max. 7000 bar**	9/16" UNF x 18 H.P. female max. 7000 bar**	AISI316L / 1.4404	BACK / FRONT FLANGE AISI316L/1.4404
PBX	063		•							×
	080		•						×	×
	100			•						
	160			•					*	*
	250			•					×	×
PBX-SF	063		•						○	×
	100			•					○	
	160			•					○	
PBB	100			•					×	×
	160			•					×	×
PCX	100			•			×	×		
	160			•			×	×		
	250			•			×	×	×	×
PMX	100			•			×	×		×
	160			•			×	×		×
PPB - PPC	square		•				×	×	×	×
	rectangular		•				×	×	×	×
PBS - PBQ	063	ON DEMAND: SEE ALSO PAGE 23-41								
PFS - PFQ	080								×	×
	100									
	160									
PBR - PBT	100	SEE PAGE 42-43								×
	160									
PCD	100			•			×	×		
	160			•			×	×		
PBD	100			•			×	×	×	×
	160			•			×	×	×	×
PMD	100			•			×	×		
	160			•			×	×	×	×
POD	100						×	×		×
	160						×	×	*	×
RPX	ALL			•					×	×
PBX-SS	063		•						•	•
	100			•					•	•
	160			•					•	•

× NOT AVAILABLE    
 • STANDARD    
 ○ ON DEMAND    
 \* Not possible in combinations with contacts or transmitters  
 \*\* Not available with pulsation damper  
 \*\*\* As per DIN16001

# OPTIONS ON PRESSURE GAUGES

TYPE	CASE DIMENSIONS (in mm)	EXTRA COSTS													
		WINDOW MATERIAL			BLOW- OUT		POINTERS					MEASURING SYSTEM			
		PMMA - PLEXIGLASS	SECURIT	LAMINATED SAFETY GLASS	DISC	PLUG * (LIQUID FILLED)	ADJUSTABLE	INDEX POINTER ON GLASS	DRAG POINTER		DRAG POINTER in combination with HZ contact	OIL & GREASE FREE**	MONEL WETTED PARTS	PULSATION DAMPER AISI316 1.4401	OVERLOAD 2x F.S. other on demand
									Single	Double					
PBX	063				●	●					×	×			
	080				●	●					×	×			
	100				●	●									
	160				●	●									
	250				●	●					×		×		
PBX-SF	063	×	×	●	×	×					×	×			
	100	×	×	●	×	×					×				
	160	×	×	●	×	×					×				
PBB	100				●	●	×				×				
	160				●	●	×				×				
PCX	100				●	●				○	×	×	×	×	see page 16
	160				●	●				○	×	×	×	×	
	250				●	●				×	×	×	×	×	
PMX	100				●	●					×		×	×	see page 17-18
	160				●	●					×		×	×	
PPB	square	●	×	×	×	×					×		×		○
PPC	rectangular	●	×	×	×	×	×	×	×	×	×		×		○
PBS	063		×		●	●					×	×	○		○
PBQ	080		×	×	●	●					×	×	○		○
PFS	100				●	●					×		○		○
PFQ	160				●	●					×		○		○
PBR	100				●	●					×		○		○
PBT	160				●	●					×		○		○
PCD	100	×		×	×	×		×	×	×	×	×	×		see page 46
	160	×		×	×	×		×	×	×	×	×	×		
PBD	100				●	●					×		×		×
	160				●	●					×		×		×
PDD	100				●	●					×	×	×		×
PMD	160				●	●					×	×	×		×
POD	100				●	●					×	×	×	×	×
	160				●	●					×	×	×	×	×
RPX	ALL	●	see page 21,	×	×	×	●	×	×	×	×		×	×	
RPP		●	22	×	×	×	●	×	×	×	×		×	×	
PBX-SS	063	×	●	×	×	×		×	×	×	×				
	100	×	●	×	×	×		×	×	×	×				
	160	×	●	×	×	×		×	×	×	×				

× NOT AVAILABLE    
 ● STANDARD    
 ○ ON DEMAND    
 \* WITH COMPENSATING DIAPHRAGM    
 \*\* Only PBX-SFxxxXX is suitable for use on oxygen!!